

PARTS LIST

---

**SERIES 4040**

BASE MOUNTED PUMP  
DOUBLE MECHANICAL SEAL DESIGN

TANGENTIAL DISCHARGE  
"M" DESIGNATION

1-1/4" IMPELLER BORE -- 1-5/8" MECHANICAL SEAL

**OLD DESIGN**

# NEMA FRAME ASSIGNMENTS

OPEN & TEFC (TEFC FRAMES IN GREY BOX WHERE DIFFERENT THAN OPEN)

NEMA FRAME PROGRAM HP	3600 RPM						1800 RPM						1200 RPM						900 RPM					
	"T" FRAMES		"U" FRAMES		ORIGINAL NEMA FRAMES		"T" FRAMES		"U" FRAMES		ORIGINAL NEMA FRAMES		"T" FRAMES		"U" FRAMES		ORIGINAL NEMA FRAMES		"T" FRAMES		"U" FRAMES		ORIGINAL NEMA FRAMES	
	1964		1952		FRAMES		1964		1952		FRAMES		1964		1952		FRAMES		1964		1952		FRAMES	
	-		-		-		143T		182		203		145T		184		204		182T		213		225	
1 1/2	143T		182		203		145T		184		204		182T		184		224		184T		213		254	
2	145T		184		204		145T		184		224		184T		213		225		213T		215		254	
3	145T 182T		184		224		182T		213		225		213T		215		254		215T		254U		284	
5	182T 184T		213		225		184		215		254		215T		254U		284		254T		256U		324	
7 1/2	184T 213T		215		254		213T		254U		284		254T		256U		324		256T		284U		326	
10	213T 215T		254U		284		215T		256U		324		256T		284		326		284T		286U		364	
15	215T 254T		256U		324		254T		284T		326		284T		234T		364		286T		326U		365	
20	254T 256T		284U 286U		326		256T		286U		364		286T		326U		365		324T		364U		404	
25	256T 284TS		286U 324U		364S 365S		284T		324U		364 365		324T		364U		404		326T		365U		405	
30	284TS 286TS		324S 326S		364S 404S		286T		326U		365 404		326T		365U		405		364T		404U		444	
40	286TS 324TS		326S 364US		365S 405S		324T		364U		404 405		364T		404U		444		365T		405U		445	
50	324TS 326TS		364US		404S 444S		326T		365US		405S 444S		365T		405U		445		404T		444U		504U	
60	326TS 364TS		365US 405US		405S 445S		364TS		404US 405US		444S 445S		404T		444U		504U		405T		445U		505	
75	364TS 365TS		404US 444US		444S 504S		365TS		405US 444US		445S 504S		405T		445U		505		444T		-		-	
100	365TS 405TS		405US 445US		445S 505S		404TS 405TS		444US 445US		504S 505S		444T		-		-		445T		-		-	
125	404TS 444TS		444US		504US		405TS 444TS		445US		505S		445T		-		-		-		-		-	
150	405TS 445TS		445US		505S		444TS 445TS		-		-		-		-		-		-		-		-	
200	444TS		-		-		445TS		-		-		-		-		-		-		-		-	
250	445TS		-		-		-		-		-		-		-		-		-		-		-	

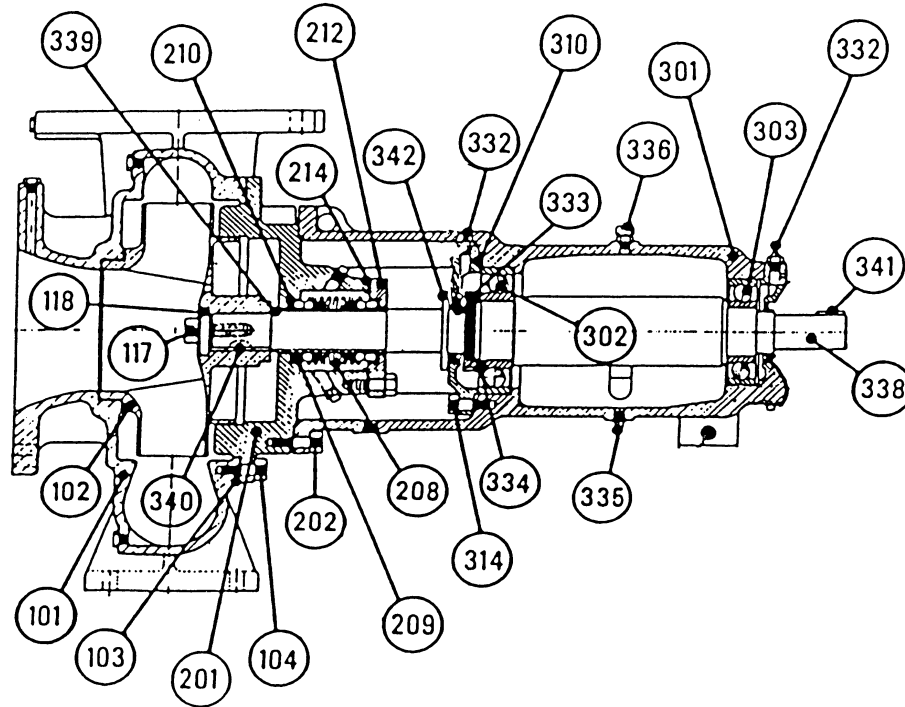
**SERIES 4040 BEARING FRAMES, ALL SPEEDS**

MOTOR HP	1200RPM	1/2	3/4	1	1 1/2	2	3	5	7 1/2	10	-	-	15	20	-	-	25	30	-	
	AND	1800RPM	3/4	1	1 1/2&2	3	5	7 1/2	10	15	20	-	-	25	30	-	-	40	50	-
	SPEED	3600RPM	-	-	-	5	7 1/2	10	15	20	25	30	40	-	-	50	60	-	-	75
FRAME SIZE	1954 RERATE	56	182	184	213	215	254U	256U	284U	286U	324S	326S	324U	326U	364US	365US	364U	365U	404US	
	1964 RERATE	56	143T	145T	182T	184T	213T	215T	254T	256T	284TS	286TS	284T	286T	324TS	326TS	324T	326T	364TS	
PUMP SIZE																				
B&G	ARMSTRONG																			
1 1/4A	1 1/4D	S	S	S	S	S	S	S	-	-	-	-	-	-	-	-	-	-	-	-
1 1/2A	1 1/2D	S	S	S	S	S	S	S	M	M	-	-	-	-	-	-	-	-	-	-
2A	2D	S	S	S	S	S	S	S	M	M	-	-	-	-	-	-	-	-	-	-
2 1/2A	2 1/2D	S	S	S	S	S	S	S	M	M	M	M	-	-	-	-	-	-	-	-
3A	3D	-	S	S	S	S	S	S	M	M	M	M	-	-	-	-	-	-	-	-
4A	4D	-	S	S	S	S	S	S	M	M	M	M	-	-	-	-	-	-	-	-
1 1/4BB	1 1/4E	-	S	S	S	S	S	S	M	M	M	M	-	-	-	-	-	-	-	-
1 1/2BB	1 1/2E	-	S	S	S	S	S	S	M	M	M	M	-	-	-	-	-	-	-	-
2BB	2E	-	S	S	S	S	S	S	M	M	M	M	-	-	M	M	-	-	-	-
2 1/2B	2 1/2E	-	-	-	S	S	S	S	-	-	-	-	-	-	-	-	-	-	-	-
3BB	3E	-	-	-	S	S	S	S	M	-	-	-	-	-	-	-	-	-	-	-
4BB	4E	-	-	-	-	S	S	S	M	M	-	-	-	-	-	-	-	-	-	-
5BB	5E	-	-	-	-	-	S	S	M	M	-	-	M	-	-	-	-	-	-	-
6BB	6E	-	-	-	-	-	-	-	M	M	-	-	M	-	-	-	-	-	-	-

"S" DESIGNATION - 7/8" IMPELLER BORE, DOUBLE 1 1/4" MECHANICAL SEAL

"M" DESIGNATION - 1 1/4" IMPELLER BORE, DOUBLE 1 5/8" MECHANICAL SEAL

**SERIES 4040 TANGENTIAL, BASE MOUNTED PUMP**  
**"M" SIZE 1 1/4" IMPELLER BORE -- DOUBLE 1 5/8" MECHANICAL SEAL**  
**SECTIONAL DRAWING**



**INDEX**

ITEM	DESCRIPTION	PAGE	ITEM	DESCRIPTION	PAGE	ITEM	DESCRIPTION	PAGE
**	BRG. FRAME ASSY.	9	208	MECHANICAL SEAL ASSEMBLY	10	332	GREASE FITTING	9
101	VOLUTE	3 & 4	212	SEAL PLATE	10	333	LOCKNUT	9
102	IMPELLER	5 & 6	213	SEAL PLATE CAPSCREW	10	334	LOCKWASHER	9
103	VOLUTE GASKET	7	214	SEAL PLATE GASKET	10	337	VENT FITTING	9
104	VOLUTE CAPSCREW	8	301	BEARING FRAME	9	338	SHAFT ASSEMBLY	9
117	IMPELLER CAPSCREW	9	302	BALL BEARING (INBOARD)	9	340	IMPELLER KEY	10
118	IMPELLER WASHER	10	303	BALL BEARING (OUTBOARD)	9	341	COUPLER KEY	10
201	COVERPLATE	7	310	BEARING COVER (INBOARD)	9	342	WATER SLINGER	9
202	COVERPLATE CAPSCREW	10	314	BEARING COVER CAPSCREW	10		COUPLER	11

# 4040 PUMP PARTS

( OLD STYLE TANGENTIAL DISCHARGE )

"M" SIZE 1 1/4" IMPELLER BORE ----- 1 1/4" SHAFT DIAMETER AT COUPLER

DOUBLE 1 5/8" MECHANICAL SEAL

<b>ITEM 101 VOLUTE</b>			
<b>PUMP SIZE</b>	<b>CONST.</b>	<b>PART NUMBER</b>	<b>BAR CODE</b>
1 1/2D	B.F. & A.I.*	415293-011	
1 1/2D	A.B.*	415293-041	
2D	B.F. & A.I.*	425141-011	
2D	A.B.*	425141-041	
2 1/2D	B.F. & A.I.*	425143-011	
2 1/2D	A.B.*	425143-041	
3D	B.F. & A.I.*	425145-011	
3D	A.B.*	425145-041	
4D	B.F. & A.I.*	415299-011	
4D	A.B.*	415299-041	
1 1/4E	B.F. & A.I.*	416168-011	
1 1/4E	A.B.*	416168-041	
1 1/2E	B.F. & A.I.*	425147-011	
1 1/2E	A.B.*	425147-041	
2E	B.F. & A.I.*	419153-011	
2E	A.B.*	419153-041	
5E	B.F. & A.I.*	415303-011	
5E	A.B.*	415303-041	

\* B.F. Denotes "Bronze Fitted " construction. Parts in contact with pumped liquid are bronze or copper, except volute and cover plate.

A.I. Denotes "All Iron " construction. Parts in contact with the pumped liquid are cast iron or steel, except shaft sleeve & mechanical seal.

A.B. Denotes "All Bronze" construction. Parts in contact with the pumped liquid are bronze or stainless steel.

**VOLUTES CONTINUED ON PAGE 4**

# 4040 PUMP PARTS

( OLD STYLE TANGENTIAL DISCHARGE )

"M" SIZE 1 1/4" IMPELLER BORE ----- 1 1/4" SHAFT DIAMETER AT COUPLER

DOUBLE 1 5/8" MECHANICAL SEAL

## ITEM 101 VOLUTE ( cont'd )

PUMP SIZE	CONST.	PART NUMBER	BAR CODE
6E	B.F. & A.I.*	416188-011	
6E	A.B.*	416188-041	
2G	B.F. & A.I.*	419544-011	
2G	A.B.*	419544-041	
3G	B.F. & A.I.*	419003-011	
3G	A.B.*	419003-041	
4G	B.F. & A.I.*	419004-011	
4G	A.B.*	419004-041	
6G	B.F. & A.I.*	419542-011	
6G	A.B.*	419542-041	

\* B.F. Denotes "Bronze Fitted " construction. Parts in contact with pumped liquid are bronze or copper, except volute and cover plate.

A.I. Denotes "All Iron " construction. Parts in contact with the pumped liquid are cast iron or steel, except shaft sleeve & mechanical seal.

A.B. Denotes "All Bronze" construction. Parts in contact with the pumped liquid are bronze or stainless steel.

# 4040 PUMP PARTS

( OLD STYLE TANGENTIAL DISCHARGE )

"M" SIZE 1 1/4" IMPELLER BORE ----- 1 1/4" SHAFT DIAMETER AT COUPLER

DOUBLE 1 5/8" MECHANICAL SEAL

<b>ITEM 102 IMPELLER **</b>			
<b>PUMP SIZE</b>	<b>CONST.</b>	<b>PART NUMBER</b>	<b>BAR CODE</b>
1 1/2D	B.F. & AB.*	419229-041	
1 1/2D	A.I.*	419229-011	
2D	B.F. & AB.*	419229-041	
2D	A.I.*	419229-011	
2 1/2D	B.F. & AB.*	419232-041	
2 1/2D	A.I.*	419232-011	
3D	B.F. & AB.*	419234-041	
3D	A.I.*	419234-011	
4D	B.F. & AB.*	419236-041	
4D	A.I.*	419236-011	
<hr/>			
1 1/4E	B.F. & AB.*	419238-041	
1 1/4E	A.I.*	419238-011	
1 1/2E	B.F. & AB.*	419238-041	
1 1/2E	A.I.*	419238-011	
2E	B.F. & AB.*	419239-041	
2E	A.I.*	419239-041	
5E	B.F. & AB.*	419245-041	
5E	A.I.*	419245-011	

**NOTES:**

\* B.F. Denotes "Bronze Fitted " construction. Parts in contact with pumped liquid are bronze or copper, except volute and cover plate.

A.I. Denotes "All Iron " construction. Parts in contact with the pumped liquid are cast iron or steel, except shaft sleeve & mechanical seal.

A.B. Denotes "All Bronze" construction. Parts in contact with the pumped liquid are bronze or stainless steel.

\*\* Impeller Part Numbers are for full or maximum diameter Impellers. Always specify Pump Serial Number and where possible, measure and advise the diameter of the Impeller being replaced on these Pumps.

**IMPELLERS CONTINUED ON PAGE 6**

# 4040 PUMP PARTS

( OLD STYLE TANGENTIAL DISCHARGE )

"M" SIZE 1 1/4" IMPELLER BORE ----- 1 1/4" SHAFT DIAMETER AT COUPLER

DOUBLE 1 5/8" MECHANICAL SEAL

<b>ITEM 102 IMPELLER ** ( cont'd )</b>			
<b>PUMP SIZE</b>	<b>CONST.</b>	<b>PART NUMBER</b>	<b>BAR CODE</b>
6E	B.F. & AB.*	419247-041	
6E	A.I.*	419247-011	
2G	B.F. & A.I.*	419543-041	
2G	A.B.*	419543-011	
3G	B.F. & A.I.*	419008-041	
3G	A.B.*	419008-011	
4G	B.F. & A.I.*	419009-041	
4G	A.B.*	419009-011	
6G	B.F. & A.I.*	419541-041	
6G	A.B.*	419541-011	

**NOTES:**

\* B.F. Denotes "Bronze Fitted " construction. Parts in contact with pumped liquid are bronze or copper, except volute and cover plate.

A.I. Denotes "All Iron " construction. Parts in contact with the pumped liquid are cast iron or steel, except shaft sleeve & mechanical seal.

A.B. Denotes "All Bronze" construction. Parts in contact with the pumped liquid are bronze or stainless steel.

\*\* Impeller Part Numbers are for full or maximum diameter Impellers. Always specify Pump Serial Number and where possible, measure and advise the diameter of the Impeller being replaced on these Pumps.



# 4040 PUMP PARTS

( OLD STYLE TANGENTIAL DISCHARGE )

"M" SIZE 1 1/4" IMPELLER BORE ----- 1 1/4" SHAFT DIAMETER AT COUPLER

DOUBLE 1 5/8" MECHANICAL SEAL

<b>ITEM 201 COVERPLATE</b>			
PUMP SIZE	CONSTRUCTION	PART NUMBER	BAR CODE
1 1/2D TO 4D	B.F. & A.I.*	425188-011	
1 1/2D TO 4D	A.B.*	425188-041	
1 1/4E TO 6E	B.F. & A.I.*	425189-011	
1 1/4E TO 6E	A.B.*	425189-041	
2G TO 6G	B.F. & A.I.*	425190-011	
2G TO 6G	A.B.*	425190-041	

<b>ITEM 103 VOLUTE GASKET</b>			
PUMP SIZE	CONSTRUCTION	PART NUMBER	ARMSTRONG BAR CODE
1 1/2D TO 4D	ALL	106592-000	
1 1/4E TO 6E	ALL	406604-000	
2G TO 6G	ALL	419016-000	

**NOTES:**

\* B.F. Denotes "Bronze Fitted " construction. Parts in contact with pumped liquid are bronze or copper, except volute and cover plate.

A.I. Denotes "All Iron " construction. Parts in contact with the pumped liquid are cast iron or steel, except shaft sleeve.

A.B. Denotes "All Bronze" construction. Parts in contact with the pumped liquid are bronze or stainless steel.

# 4040 PUMP PARTS

( OLD STYLE TANGENTIAL DISCHARGE )

"M" SIZE 1 1/4" IMPELLER BORE ----- 1 1/4" SHAFT DIAMETER AT COUPLER

DOUBLE 1 5/8" MECHANICAL SEAL

ITEM 104 VOLUTE CAPSCREW					
PUMP SIZE	CONST.	NO. REQ'D	SIZE	PART NUMBER	BAR CODE
1 1/2D TO 4D	ALL	8	3/8-16NCX2 5/8"	911121-120	
1 1/4E TO 6E	ALL	12	7/16-14NCX1 1/4"	911123-110	
2G TO 6G	ALL	12	1/2-13NCX1 1/2"	911125-110	

# 4040 PUMP PARTS

( OLD STYLE TANGENTIAL DISCHARGE )

"M" SIZE 1 1/4" IMPELLER BORE ----- 1 1/4" SHAFT DIAMETER AT COUPLER

DOUBLE 1 5/8" MECHANICAL SEAL

## BEARING FRAME ASSEMBLY

ITEM NUMBER	DESCRIPTION	PART NUMBER	BAR CODE
	BEARING FRAME ASSY.      B.F. & A.I.*	819957-012	
	BEARING FRAME ASSY.      A.B.*	819957-042	
<p><b>NOTE:</b> Each Bearing Frame Assembly includes components in this table having a part number listed in the column below the Bearing Frame Part Number.</p>			
117	IMPELLER CAPSCREW S/S	911900-113	
301	BEARING FRAME	419591-011	
302	BALL BEARING ( INBOARD )	871101-721	
303	BALL BEARING ( OUTBOARD )	871101-701	
310	BEARING COVER (INBOARD)	419208-002	
332	GREASE FITTING	425030-011	
333	LOCKNUT	419319-000	
334	LOCKWASHER	419320-000	
337	VENT FITTING	407444-000	
338	SHAFT ASSEMBLY      B.F. & A.I.*	819590-011	
338	SHAFT ASSEMBLY      A.B.*	819590-071	
342	WATER SLINGER	419315-000	

**NOTES:**

\* B.F. Denotes "Bronze Fitted " construction. Parts in contact with pumped liquid are bronze or copper, except volute and cover plate.

A.I. Denotes "All Iron" construction. Parts in contact with the pumped liquid are cast iron or steel, except shaft sleeve.

A.B. Denotes "All Bronze" construction. Parts in contact with the pumped liquid are bronze or stainless steel.

**FOR COMMON PARTS SEE PAGE 10**

# 4040 PUMP PARTS

( OLD STYLE TANGENTIAL DISCHARGE )

"M" SIZE 1 1/4" IMPELLER BORE ----- 1 1/4" SHAFT DIAMETER AT COUPLER

DOUBLE 1 5/8" MECHANICAL SEAL

<b>COMMON PARTS</b>			
( Not included in the Bearing Frame Assembly )			
ITEM NUMBER	DESCRIPTION	PART NUMBER	BAR CODE
118	IMPELLER WASHER B.F./A.I./A.B.*	425742-003	
208	MECHANICAL SEAL ASSEMBLY B.F.&A.B.	811339-022	
208	MECHANICAL SEAL ASSEMBLY A.I.	811866-022	
212	SEAL PLATE B.F.&A.B.	425186-041	
212	SEAL PLATE A.I.	425186-011	
213	SEAL PLATE CAPSCREW ( 4 REQ'D)	911121-108	
214	SEAL PLATE GASKET	425187-000	
338	SHAFT SLEEVE B.F.*	419597-041	
338	SHAFT SLEEVE A.B. & A.I.*	419597-071	

<b>HARDWARE</b>			
ITEM NUMBER	DESCRIPTION	PART NUMBER	BAR CODE
202	COVERPLATE CAPSCREW (8 REQ'D)	911121-110	
314	BRG. COVER CAPSCREW ( 4 REQ'D )	911121-108	
340	IMPELLER KEY	974523-100	
341	COUPLER KEY	974523-100	

**NOTES:**

\* B.F. Denotes "Bronze Fitted " construction. Parts in contact with pumped liquid are bronze or copper, except volute and cover plate.

A.I. Denotes "All Iron" construction. Parts in contact with the pumped liquid are cast iron or steel, except shaft sleeve.

A.B. Denotes "All Bronze" construction. Parts in contact with the pumped liquid are bronze or stainless steel.

# 4040 PUMP PARTS

(OLD STYLE TANGENTIAL DISCHARGE)

"M" SIZE 1 1/4" IMPELLER BORE ---- 1 1/4" SHAFT DIAMETER AT COUPLER

DOUBLE 1 5/8" MECHANICAL SEAL

COUPLER SELECTION TABLE ( WOODS TYPE )					
PUMP SHAFT SIZE	MOTOR FRAME SIZE	MOTOR SHAFT SIZE	WOODS SIZE	COUPLER PART NUMBER	BAR CODE
1 1/4"	254U-256U 213T- 215T	1 3/8"	6J	819344-012	
1 1/4"	254T- 256T 284U	1 5/8"	7J	819348-002	
1 1/4"	284T- 286T 324U	1 7/8"	8J	819349-002	
1 1/4"	324T- 326T	2 1/8"	9E	819350-002	

COUPLER INSERT SELECTION TABLE ( WOODS TYPE )			
COUPLER INSERT SIZE	INSERT NUMBER	PART NUMBER	BAR CODE
6J	6JE	875000-803	
7J	7JE	875000-804	
8J	8JE	875000-805	
9J	9E	875000-807	