

File No:	6047.100
Date:	June 1, 2002
Supersedes:	6047.100
Date:	April 1, 1997

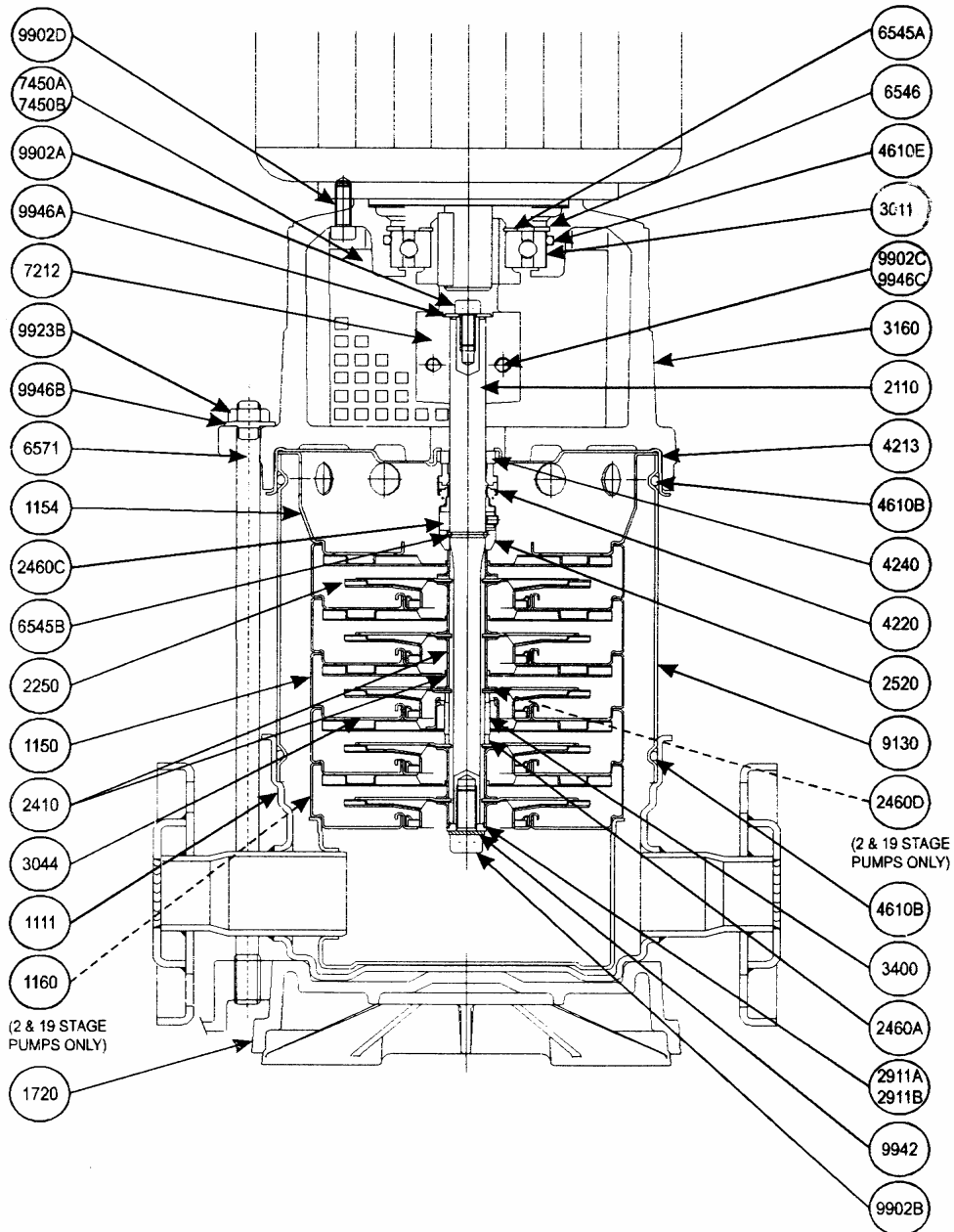
ARMSTRONG

PARTS LIST

SERIES 4700

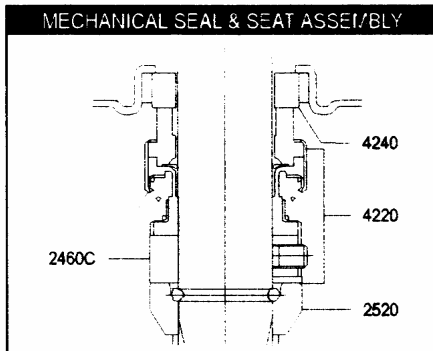
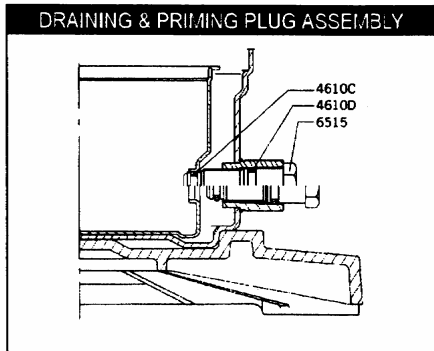
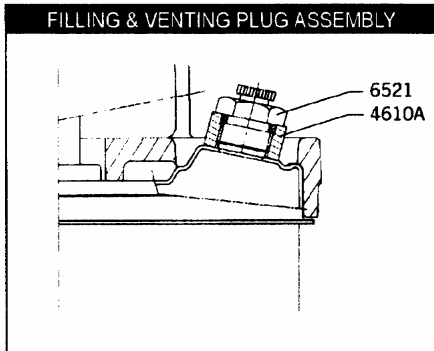
VERTICAL
MULTISTAGE

SERIES 4700 CUTAWAY VIEW



(2 & 19 STAGE PUMPS ONLY)

(2 & 19 STAGE PUMPS ONLY)



SEE PAGE 3 FOR PUMP INDEX

VERTICAL MULTISTAGE PUMPS PARTS

PUMP INDEX

MODEL NO. & PHASE	PAGE NO.	MODEL NO. & PHASE	PAGE NO.
1502 - 1 & 3 PHASE	4	5002 - 1 PHASE	31
1503 - 1 & 3 PHASE	5	5002 - 3 PHASE	32
1504 - 1 PHASE	6	5003 - 1 PHASE	33
1504 - 3 PHASE	7	5003 - 3 PHASE	34
1505 - 1 PHASE	8	5004 - 1 & 3 PHASE	35
1505 - 3 PHASE	9	5005 - 1 & 3 PHASE	36
1506 - 1 PHASE	10	5006 - 1 & 3 PHASE	37
1506 - 3 PHASE	11	5007 - 1 PHASE	38
1507 - 1 PHASE	12	5007 - 3 PHASE	39
1507 - 3 PHASE	13	5008 - 1 PHASE	40
1508 - 1 PHASE	14	5008 - 3 PHASE	41
1508 - 3 PHASE	15	5010 - 1 & 3 PHASE	42
1510 - 1 & 3 PHASE	16	5011 - 1 & 3 PHASE	43
1512 - 3 PHASE	17		
1514 - 1 & 3 PHASE	18	10002 - 1 & 3 PHASE	44
		10003 - 1 PHASE	45
3002 - 1 & 3 PHASE	19	10003 - 3 PHASE	46
3003 - 1 & 3 PHASE	20	10004 - 1 & 3 PHASE	47
3004 - 1 & 3 PHASE	21	10005 - 1 PHASE	48
3005 - 1 & 3 PHASE	22	10006 - 1 PHASE	49
3006 - 1 & 3 PHASE	23	10006 - 3 PHASE	50
3007 - 1 PHASE	24	10007 - 1 & 3 PHASE	51
3007 - 3 PHASE	25	10008 - 1 & 3 PHASE	52
3010 - 1 & 3 PHASE	26	10009 - 1 & 3 PHASE	53
3012 - 1 PHASE	27	10010 - 1 PHASE	54
3012 - 3 PHASE	28	10010 - 3 PHASE	55
3014 - 1 PHASE	29		
3014 - 3 PHASE	30	18002 -125# - 3 PHASE	56
		18002 -250# - 3 PHASE	57
		18003 -125# - 3 PHASE	58
		18003 -250# - 3 PHASE	59
		18004 -125# - 3 PHASE	60
		18004 -250# - 3 PHASE	61

VERTICAL MULTISTAGE PUMPS PARTS

MODEL NUMBER VMS 1502 - SINGLE & THREE PHASE

Item No.	Part No.	Part Description	Bar Code
3160	427550-011	bracket-mtr ci 56C 4700	
7212	4S4019113	cplg-m/c 14mm x.625in 56C-6206	
3011	971101-264	bearing 30mm 6206c3-2rs	
6545A	923100-100	ring-rtng int stl 65mm	
6546	923104-435	ring-rtng ext sst 1-3/16" dia	
4610E	4S4014510	o-ring-brg buna 63.1ix3.53thk	
9902D	911821-110	shcs 3/8-16nc x 1-1/4"	
9902C	4S0212113	screw-cplg/mtr zinc pltd M6x20	
9946C	4S0063223	lockwasher 990 D6 (cplg)	
9902A	4S4057609	screw-upr chc M6x14 DACROMET	
9946A	4S4006398	washer-flat L6U (upper)	
2110	4S4006141	shaft 14dia x 174.5lg 316ss	
4213	4S4001256	stationary ring holder 304sst	
4240	4S4006136	seat-sc 14mm 25br/120dC epdm 6	
4220	4S4006135	seal-mech 14mm 25br/120dC e 28	
2460C	4S4005759	ring-spcr mseal 25bar 316ss 1	
6545B	4S4001318	stop ring 1/2" imp/seal 316ss	
2520	4S4005755	thrust ring (imp/spring) 316ss	
1154	4S4001260	stage ctrng w/ret vanes 304ss	
2410	4S4001277	spacer-imp vms15-30 316ss	
2250	4S4001282	impeller 98 dia, b=2 304ss	
1150	4S4001270	stage w/rtn guide vanes 304ss	
2460D	4S4005760	spacer-int ring 1.5mm 316sst	
3400	4S4006086	sleeve-shaft 14ix18ox13.8l tc	
2460A	4S4006083	spacer-shaft slv 4.3mm 316ss	
3044	4S4001274	stage w/ r.g.v. & brg 304ss	
1160	4S4001266	stage w/o ret guide vanes 304	
2911A	4S4006203	washer-shaft end 13.8ix4.5 316	
9942	4S0064697	lockwasher 316ss DEC.M8 (lwr)	
9902B	4S4019938	screw-lwr sft end M8x20 316ss	
9130	4S4058589	Outer jacket tube 95.56 304SS	
4610B	4S4006401	o-ring tube epdm 145.65ix3.53t	
1111	4S4001293	casing 316ss ANSI 1.25-250	
9923B	4S0064567	nut-tie bolt H.M12 pltd zinc	
9946B	4S0064659	washer BL D12 (under 9923B)	
6571	4S4006374	bolt-tie M12 221mm lg stl	
7450A	4S4030446	guard-cplg ft85/ft130 (180tc)	
7450B	4S4030445	clip-cplg guard fixing	
4610A	4S4006137	o-ring-plug epdm 13.1ix2.62thk	
6521	4S4005764	plug-vent/fill 3/8" npt 316sst	
4610C	4S4006400	o-ring plug epdm 9.19ix2.62thk	
4610D	4S4006137	o-ring-plug epdm 13.1ix2.62thk	
6515	4S4017494	plug-prime & drain 3/8" 316sst	
NOT SHOWN	927211-100	motor bolt lockwasher 3/8" stl	
1720	4S4003109	base machined ci pn25 ansi 250	

VERTICAL MULTISTAGE PUMPS PARTS

MODEL NUMBER VMS 1503 - SINGLE & THREE PHASE

Item No.	Part No.	Part Description	Bar Code
3160	427550-011	bracket-mtr ci 56C 4700	
7212	4S4019113	cplg-m/c 14mm x.625in 56C-6206	
3011	971101-264	bearing 30mm 6206c3-2rs	
6545A	923100-100	ring-rtng int stl 65mm	
6546	923104-435	ring-rtng ext sst 1-3/16" dia	
4610E	4S4014510	o-ring-brg buna 63.1ix3.53thk	
9902D	911821-110	shcs 3/8-16nc x 1-1/4"	
9902C	4S0212113	screw-cplg/mtr zinc pltd M6x20	
9946C	4S0063223	lockwasher 990 D6 (cplg)	
9902A	4S4057609	screw-upr chc M6x14 DACROMET	
9946A	4S4006398	washer-flat L6U (upper)	
2110	4S4006141	shaft 14dia x 174.5lg 316ss	
4213	4S4001256	stationary ring holder 304sst	
4240	4S4006136	seat-sc 14mm 25br/120dC epdm 6	
4220	4S4006135	seal-mech 14mm 25br/120dC e 28	
2460C	4S4005759	ring-spcr mseal 25bar 316ss 1	
6545B	4S4001318	stop ring 1/2" imp/seal 316ss	
2520	4S4005755	thrust ring (imp/spring) 316ss	
1154	4S4001260	stage ctrng w/ret vanes 304ss	
2410	4S4001277	spacer-imp vms15-30 316ss	
2250	4S4001282	impeller 98 dia, b=2 304ss	
1150	4S4001270	stage w/rtn guide vanes 304ss	
2460D	4S4005760	spacer-int ring 1.5mm 316sst	
3400	4S4006086	sleeve-shaft 14ix18ox13.8l tc	
2460A	4S4006083	spacer-shaft slv 4.3mm 316ss	
3044	4S4001274	stage w/ r.g.v. & brg 304ss	
1160	4S4001266	stage w/o ret guide vanes 304	
2911A	4S4006203	washer-shaft end 13.8ix4.5 316	
9942	4S0064697	lockwasher 316ss DEC.M8 (lwr)	
9902B	4S4019938	screw-lwr sft end M8x20 316ss	
9130	4S4058589	Outer jacket tube 95.56 304SS	
4610B	4S4006401	o-ring tube epdm 145.65ix3.53t	
1111	4S4001293	casing 316ss ANSI 1.25-250	
9923B	4S0064567	nut-tie bolt H.M12 pltd zinc	
9946B	4S0064659	washer BL D12 (under 9923B)	
6571	4S4006374	bolt-tie M12 221mm lg stl	
7450A	4S4030446	guard-cplg ft85/ft130 (180tc)	
7450B	4S4030445	clip-cplg guard fixing	
4610A	4S4006137	o-ring-plug epdm 13.1ix2.62thk	
6521	4S4005764	plug-vent/fill 3/8"npt 316sst	
4610C	4S4006400	o-ring plug epdm 9.19ix2.62thk	
4610D	4S4006137	o-ring-plug epdm 13.1ix2.62thk	
6515	4S4017494	plug-prime & drain 3/8" 316sst	
NOT SHOWN	927211-100	motor bolt lockwasher 3/8" stl	
1720	4S4003109	base machined ci pn25 ansi 250	

VERTICAL MULTISTAGE PUMPS PARTS

MODEL NUMBER VMS 1504 - SINGLE PHASE

Item No.	Part No.	Part Description	Bar Code
3160	427550-011	bracket-mtr ci 56C 4700	
7212	4S4019113	cplg-m/c 14mm x.625in 56C-6206	
3011	971101-264	bearing 30mm 6206c3-2rs	
6545A	923100-100	ring-rtng int stl 65mm	
6546	923104-435	ring-rtng ext sst 1-3/16" dia	
4610E	4S4014510	o-ring-brg buna 63.1ix3.53thk	
9902D	911821-110	shcs 3/8-16nc x 1-1/4"	
9902C	4S0312113	screw-cplg/mtr zinc pltd M6x20	
9946C	4S0063223	lockwasher 990 D6 (cplg)	
9902A	4S4057609	screw-upr chc M6x14 DACROMET	
9946A	4S4006398	washer-flat L6U (upper)	
2110	4S4006145	shaft 14dia x 198.5lg 316ss	
4213	4S4001256	stationary ring holder 304sst	
4240	4S4006136	seat-sc 14mm 25br/120dC epdm 6	
4220	4S4006135	seal-mech 14mm 25br/120dC e 28	
2460C	4S4005759	ring-spcr mseal 25bar 316ss 1	
6545B	4S4001318	stop ring 1/2" imp/seal 316ss	
2520	4S4005755	thrust ring (imp/spring) 316ss	
1154	4S4001260	stage ctrng w/ret vanes 304ss	
2410	4S4001277	spacer-imp vms15-30 316ss	
2250	4S4001282	impeller 98 dia, b=2 304ss	
1150	4S4001270	stage w/rtn guide vanes 304ss	
2460D	4S4005760	spacer-int ring 1.5mm 316sst	
3400	4S4006086	sleeve-shaft 14ix18ox13.8l tc	
2460A	4S4006083	spacer-shaft slv 4.3mm 316ss	
3044	4S4001274	stage w/ r.g.v. & brg 304ss	
1160	4S4001266	stage w/o ret guide vanes 304	
2911A	4S4006203	washer-shaft end 13.8ix4.5 316	
9942	4S0064697	lockwasher 316ss DEC.M8 (lwr)	
9902B	4S4019938	screw-lwr sft end M8x20 316ss	
9130	4S4058593	Outer jacket tube 119.58 304SS	
4610B	4S4006401	o-ring tube epdm 145.65ix3.53t	
1111	4S4001293	casing 316ss ANSI 1.25-250	
9923B	4S0064567	nut-tie bolt H.M12 pltd zinc	
9946B	4S0064659	washer BL D12 (under 9923B)	
6571	4S4006376	bolt-tie M12 245mm lg stl	
7450A	4S4030446	guard-cplg ft85/ft130 (180tc)	
7450B	4S4030445	clip-cplg guard fixing	
4610A	4S4006137	o-ring-plug epdm 13.1ix2.62thk	
6521	4S4005764	plug-vent/fill 3/8" npt 316sst	
4610C	4S4006400	o-ring plug epdm 9.19ix2.62thk	
4610D	4S4006137	o-ring-plug epdm 13.1ix2.62thk	
6515	4S4017494	plug-prime & drain 3/8" 316sst	
NOT SHOWN	927211-100	motor bolt lockwasher 3/8" stl	
1720	4S4003109	base machined ci pn25 ansi 250	

VERTICAL MULTISTAGE PUMPS PARTS

MODEL NUMBER VMS 1504 - THREE PHASE

Item No.	Part No.	Part Description	Bar Code
3160	427551-011	bracket-mtr ci 140TC 4700	
7212	4S4019114	cplg-m/c 14mmx.875in 140TC6207	
3011	971101-364	bearing 35mm 6207c3-2rs	
6545A	923100-110	ring-rtng int stl 75 mm	
6546	923104-440	ring-rtng ext sst 1.37	
4610E	4S4014511	o-ring-brg bun 72.62ix3.53thk	
9902D	911821-110	shcs 3/8-16nc x 1-1/4"	
9902C	4S0312103	screw, znc pltd M8*25*18	
9946C	4S0063224	lockwasher 990 D8 (cplg)	
9902A	4S4057609	screw-upr chc M6x14 DACROMET	
9946A	4S4006398	washer-flat L6U (upper)	
2110	4S4006145	shaft 14dia x 198.5lg 316ss	
4213	4S4001256	stationary ring holder 304sst	
4240	4S4006136	seat-sc 14mm 25br/120dC epdm 6	
4220	4S4006135	seal-mech 14mm 25br/120dC e 28	
2460C	4S4005759	ring-spcr mseal 25bar 316ss 1	
6545B	4S4001318	stop ring 1/2" imp/seal 316ss	
2520	4S4005755	thrust ring (imp/spring) 316ss	
1154	4S4001260	stage ctrng w/ret vanes 304ss	
2410	4S4001277	spacer-imp vms15-30 316ss	
2250	4S4001282	impeller 98 dia, b=2 304ss	
1150	4S4001270	stage w/rtn guide vanes 304ss	
2460D	4S4005760	spacer-int ring 1.5mm 316sst	
3400	4S4006086	sleeve-shaft 14ix18ox13.8l tc	
2460A	4S4006083	spacer-shaft slv 4.3mm 316ss	
3044	4S4001274	stage w/ r.g.v. & brg 304ss	
1160	4S4001266	stage w/o ret guide vanes 304	
2911A	4S4006203	washer-shaft end 13.8ix4.5 316	
9942	4S0064697	lockwasher 316ss DEC.M8 (lwr)	
9902B	4S4019938	screw-lwr sft end M8x20 316ss	
9130	4S4058593	Outer jacket tube 119.58 304SS	
4610B	4S4006401	o-ring tube epdm 145.65ix3.53t	
1111	4S4001293	casing 316ss ANSI 1.25-250	
9923B	4S0064567	nut-tie bolt H.M12 pltd zinc	
9946B	4S0064659	washer BL D12 (under 9923B)	
6571	4S4006376	bolt-tie M12 245mm lg stl	
7450A	4S4030446	guard-cplg ft85/ft130 (180tc)	
7450B	4S4030445	clip-cplg guard fixing	
4610A	4S4006137	o-ring-plug epdm 13.1ix2.62thk	
6521	4S4005764	plug-vent/fill 3/8"npt 316sst	
4610C	4S4006400	o-ring plug epdm 9.19ix2.62thk	
4610D	4S4006137	o-ring-plug epdm 13.1ix2.62thk	
6515	4S4017494	plug-prime & drain 3/8" 316sst	
NOT SHOWN	927211-100	motor bolt lockwasher 3/8" stl	
1720	4S4003109	base machined ci pn25 ansi 250	

VERTICAL MULTISTAGE PUMPS PARTS

MODEL NUMBER VMS 1505 - SINGLE PHASE

Item No.	Part No.	Part Description	Bar Code
3160	427550-011	bracket-mtr ci 56C 4700	
7212	4S4019113	cplg-m/c 14mm x.625in 56C-6206	
3011	971101-264	bearing 30mm 6206c3-2rs	
6545A	923100-100	ring-rtng int stl 65mm	
6546	923104-435	ring-rtng ext sst 1-3/16" dia	
4610E	4S4014510	o-ring-brg buna 63.1ix3.53thk	
9902D	911821-110	shcs 3/8-16nc x 1-1/4"	
9902C	4S0312113	screw-cplg/mtr zinc pltd M6x20	
9946C	4S0063223	lockwasher 990 D6 (cplg)	
9902A chk pt no.	4S4057609	screw-upr chc M6x14 DACROMET	
9946A	4S4006398	washer-flat L6U (upper)	
2110	4S4006147	shaft 14dia x 222.5lg 316ss	
4213	4S4001256	stationary ring holder 304sst	
4240	4S4006136	seat-sc 14mm 25br/120dC epdm 6	
4220	4S4006135	seal-mech 14mm 25br/120dC e 28	
2460C	4S4005759	ring-spcr mseal 25bar 316ss 1	
6545B	4S4001318	stop ring 1/2" imp/seal 316ss	
2520	4S4005755	thrust ring (imp/spring) 316ss	
1154 chk pt no	4S4001260	stage ctrng w/ret vanes 304ss	
2410	4S4001277	spacer-imp vms15-30 316ss	
2250	4S4001282	impeller 98 dia, b=2 304ss	
1150 chk pt no	4S4001270	stage w/rtn guide vanes 304ss	
2460D	4S4005760	spacer-int ring 1.5mm 316sst	
3400	4S4006086	sleeve-shaft 14ix18ox13.8l tc	
2460A	4S4006083	spacer-shaft slv 4.3mm 316ss	
3044 chk pt no	4S4001274	stage w/ r.g.v. & brg 304ss	
1160	4S4001266	stage w/o ret guide vanes 304	
2911A	4S4006203	washer-shaft end 13.8ix4.5 316	
9942	4S0064697	lockwasher 316ss DEC.M8 (lwr)	
9902B chk pt no	4S4019938	screw-lwr sft end M8x20 316ss	
9130 chk pt no	4S4058597	Outer jacket tube 143.60 304SS	
4610B	4S4006401	o-ring tube epdm 145.65ix3.53t	
1111 chk pt no	4S4001293	casing 316ss ANSI 1.25-250	
9923B	4S0064567	nut-tie bolt H.M12 pltd zinc	
9946B	4S0064659	washer BL D12 (under 9923B)	
6571	4S4006378	bolt-tie M12 269mm lg stl	
7450A	4S4030446	guard-cplg ft85/ft130 (180tc)	
7450B	4S4030445	clip-cplg guard fixing	
4610A	4S4006137	o-ring-plug epdm 13.1ix2.62thk	
6521	4S4005764	plug-vent/fill 3/8" npt 316sst	
4610C	4S4006400	o-ring plug epdm 9.19ix2.62thk	
4610D	4S4006137	o-ring-plug epdm 13.1ix2.62thk	
6515 chk pt no	4S4017494	plug-prime & drain 3/8" 316sst	
NOT SHOWN	927211-100	motor bolt lockwasher 3/8" stl	
1720	4S4003109	base machined ci pn25 ansi 250	

VERTICAL MULTISTAGE PUMPS PARTS

MODEL NUMBER VMS 1505 - THREE PHASE

Item No.	Part No.	Part Description	Bar Code
3160	427551-011	bracket-mtr ci 140TC 4700	
7212	4S4019114	cplg-m/c 14mmx.875in 140TC6207	
3011	971101-364	bearing 35mm 6207c3-2rs	
6545A	923100-110	ring-rtng int stl 75 mm	
6546	923104-440	ring-rtng ext sst 1.37	
4610E	4S4014511	o-ring-brg bun 72.62ix3.53thk	
9902D	911821-110	shcs 3/8-16nc x 1-1/4"	
9902C	4S0312113	screw-cplg/mtr zinc pltd M6x20	
9946C	4S0063223	lockwasher 990 D6 (cplg)	
9902A chk pt no.	4S4057609	screw-upr chc M6x14 DACROMET	
9946A	4S4006398	washer-flat L6U (upper)	
2110	4S4006147	shaft 14dia x 222.5lg 316ss	
4213	4S4001256	stationary ring holder 304sst	
4240	4S4006136	seat-sc 14mm 25br/120dC epdm 6	
4220	4S4006135	seal-mech 14mm 25br/120dC e 28	
2460C	4S4005759	ring-spcr mseal 25bar 316ss 1	
6545B	4S4001318	stop ring 1/2" imp/seal 316ss	
2520	4S4005755	thrust ring (imp/spring) 316ss	
1154 chk pt no	4S4001260	stage ctrng w/ret vanes 304ss	
2410	4S4001277	spacer-imp vms15-30 316ss	
2250	4S4001282	impeller 98 dia, b=2 304ss	
1150 chk pt no	4S4001270	stage w/rtn guide vanes 304ss	
2460D	4S4005760	spacer-int ring 1.5mm 316sst	
3400	4S4006086	sleeve-shaft 14ix18ox13.8l tc	
2460A	4S4006083	spacer-shaft slv 4.3mm 316ss	
3044 chk pt no	4S4001274	stage w/ r.g.v. & brg 304ss	
1160	4S4001266	stage w/o ret guide vanes 304	
2911A	4S4006203	washer-shaft end 13.8ix4.5 316	
9942	4S0064697	lockwasher 316ss DEC.M8 (lwr)	
9902B chk pt no	4S4019938	screw-lwr sft end M8x20 316ss	
9130 chk pt no	4S4058597	Outer jacket tube 143.60 304SS	
4610B	4S4006401	o-ring tube epdm 145.65ix3.53t	
1111 chk pt no	4S4001293	casing 316ss ANSI 1.25-250	
9923B	4S0064567	nut-tie bolt H.M12 pltd zinc	
9946B	4S0064659	washer BL D12 (under 9923B)	
6571	4S4006378	bolt-tie M12 269mm lg stl	
7450A	4S4030446	guard-cplg ft85/ft130 (180tc)	
7450B	4S4030445	clip-cplg guard fixing	
4610A	4S4006137	o-ring-plug epdm 13.1ix2.62thk	
6521	4S4005764	plug-vent/fill 3/8"npt 316sst	
4610C	4S4006400	o-ring plug epdm 9.19ix2.62thk	
4610D	4S4006137	o-ring-plug epdm 13.1ix2.62thk	
6515 chk pt no	4S4017494	plug-prime & drain 3/8" 316sst	
NOT SHOWN	927211-100	motor bolt lockwasher 3/8" stl	
1720	4S4003109	base machined ci pn25 ansi 250	

VERTICAL MULTISTAGE PUMPS PARTS

MODEL NUMBER VMS 1506 - SINGLE PHASE

Item No.	Part No.	Part Description	Bar Code
3160	427550-011	bracket-mtr ci 56C 4700	
7212	4S4019113	cplg-m/c 14mm x.625in 56C-6206	
3011	971101-264	bearing 30mm 6206c3-2rs	
6545A	923100-100	ring-rtng int stl 65mm	
6546	923104-435	ring-rtng ext sst 1-3/16" dia	
4610E	4S4014510	o-ring-brg buna 63.1ix3.53thk	
9902D	911821-110	shcs 3/8-16nc x 1-1/4"	
9902C	4S0312113	screw-cplg/mtr zinc pltd M6x20	
9946C	4S0063223	lockwasher 990 D6 (cplg)	
9902A chk pt no.	4S4057609	screw-upr chc M6x14 DACROMET	
9946A	4S4006398	washer-flat L6U (upper)	
2110	4S4006149	shaft 14dia x 246.6lg 316ss	
4213	4S4001256	stationary ring holder 304sst	
4240	4S4006136	seat-sc 14mm 25br/120dC epdm 6	
4220	4S4006135	seal-mech 14mm 25br/120dC e 28	
2460C	4S4005759	ring-spcr mseal 25bar 316ss 1	
6545B	4S4001318	stop ring 1/2" imp/seal 316ss	
2520	4S4005755	thrust ring (imp/spring) 316ss	
1154 chk pt no	4S4001260	stage ctrng w/ret vanes 304ss	
2410	4S4001277	spacer-imp vms15-30 316ss	
2250	4S4001282	impeller 98 dia, b=2 304ss	
1150 chk pt no	4S4001270	stage w/rtn guide vanes 304ss	
2460D	4S4005760	spacer-int ring 1.5mm 316sst	
3400	4S4006086	sleeve-shaft 14ix18ox13.8l tc	
2460A	4S4006083	spacer-shaft slv 4.3mm 316ss	
3044 chk pt no	4S4001274	stage w/ r.g.v. & brg 304ss	
1160	4S4001266	stage w/o ret guide vanes 304	
2911A	4S4006203	washer-shaft end 13.8ix4.5 316	
9942	4S0064697	lockwasher 316ss DEC.M8 (lwr)	
9902B chk pt no	4S4019938	screw-lwr sft end M8x20 316ss	
9130 chk pt no	4S4058601	Outer jacket tube 167.62 304SS	
4610B	4S4006401	o-ring tube epdm 145.65ix3.53t	
1111 chk pt no	4S4001293	casing 316ss ANSI 1.25-250	
9923B	4S0064567	nut-tie bolt H.M12 pltd zinc	
9946B	4S0064659	washer BL D12 (under 9923B)	
6571	4S4006380	bolt-tie M12 293mm lg stl	
7450A	4S4030446	guard-cplg ft85/ft130 (180tc)	
7450B	4S4030445	clip-cplg guard fixing	
4610A	4S4006137	o-ring-plug epdm 13.1ix2.62thk	
6521	4S4005764	plug-vent/fill 3/8" npt 316sst	
4610C	4S4006400	o-ring plug epdm 9.19ix2.62thk	
4610D	4S4006137	o-ring-plug epdm 13.1ix2.62thk	
6515 chk pt no	4S4017494	plug-prime & drain 3/8" 316sst	
NOT SHOWN	927211-100	motor bolt lockwasher 3/8" stl	
1720	4S4003109	base machined ci pn25 ansi 250	

VERTICAL MULTISTAGE PUMPS PARTS

MODEL NUMBER VMS 1506 - THREE PHASE

Item No.	Part No.	Part Description	Bar Code
3160	427551-011	bracket-mtr ci 140TC 4700	
7212	4S4019114	cplg-m/c 14mmx.875in 140TC6207	
3011	971101-364	bearing 35mm 6207c3-2rs	
6545A	923100-110	ring-rtng int stl 75 mm	
6546	923104-440	ring-rtng ext sst 1.37	
4610E	4S4014511	o-ring-brg buna 63.1ix3.53thk	
9902D	911821-110	shcs 3/8-16nc x 1-1/4"	
9902C	4S0312103	screw-cplg/mtr zinc pltd M6x20	
9946C	4S0063224	lockwasher 990 D8 (cplg)	
9902A chk pt no.	4S4057609	screw-upr chc M6x14 DACROMET	
9946A	4S4006398	washer-flat L6U (upper)	
2110	4S4006149	shaft 14dia x 246.6lg 316ss	
4213	4S4001256	stationary ring holder 304sst	
4240	4S4006136	seat-sc 14mm 25br/120dC epdm 6	
4220	4S4006135	seal-mech 14mm 25br/120dC e 28	
2460C	4S4005759	ring-spcr mseal 25bar 316ss 1	
6545B	4S4001318	stop ring 1/2" imp/seal 316ss	
2520	4S4005755	thrust ring (imp/spring) 316ss	
1154 chk pt no	4S4001260	stage ctrng w/ret vanes 304ss	
2410	4S4001277	spacer-imp vms15-30 316ss	
2250	4S4001282	impeller 98 dia, b=2 304ss	
1150 chk pt no	4S4001270	stage w/rtn guide vanes 304ss	
2460D	4S4005760	spacer-int ring 1.5mm 316sst	
3400	4S4006086	sleeve-shaft 14ix18ox13.8l tc	
2460A	4S4006083	spacer-shaft slv 4.3mm 316ss	
3044 chk pt no	4S4001274	stage w/ r.g.v. & brg 304ss	
1160	4S4001266	stage w/o ret guide vanes 304	
2911A	4S4006203	washer-shaft end 13.8ix4.5 316	
9942	4S0064697	lockwasher 316ss DEC.M8 (lwr)	
9902B chk pt no	4S4019938	screw-lwr sft end M8x20 316ss	
9130 chk pt no	4S4058601	Outer jacket tube 167.62 304SS	
4610B	4S4006401	o-ring tube epdm 145.65ix3.53t	
1111 chk pt no	4S4001293	casing 316ss ANSI 1.25-250	
9923B	4S0064567	nut-tie bolt H.M12 pltd zinc	
9946B	4S0064659	washer BL D12 (under 9923B)	
6571	4S4006380	bolt-tie M12 293mm lg stl	
7450A	4S4030446	guard-cplg ft85/ft130 (180tc)	
7450B	4S4030445	clip-cplg guard fixing	
4610A	4S4006137	o-ring-plug epdm 13.1ix2.62thk	
6521	4S4005764	plug-vent/fill 3/8"npt 316sst	
4610C	4S4006400	o-ring plug epdm 9.19ix2.62thk	
4610D	4S4006137	o-ring-plug epdm 13.1ix2.62thk	
6515 chk pt no	4S4017494	plug-prime & drain 3/8" 316sst	
NOT SHOWN	927211-100	motor bolt lockwasher 3/8" stl	
1720	4S4003109	base machined ci pn25 ansi 250	

VERTICAL MULTISTAGE PUMPS PARTS

MODEL NUMBER VMS 1507 - SINGLE PHASE

Item No.	Part No.	Part Description	Bar Code
3160	427551-011	bracket-mtr ci 140TC 4700	
7212	4S4019114	cplg-m/c 14mmx.875in 140TC6207	
3011	971101-364	bearing 35mm 6207c3-2rs	
6545A	923100-110	ring-rtng int stl 75 mm	
6546	923104-440	ring-rtng ext sst 1.37	
4610E	4S4014511	o-ring-brg bun 72.62ix3.53thk	
9902D	911821-110	shcs 3/8-16nc x 1-1/4"	
9902C	4S0312103	screw, znc pltd M8*25*18	
9946C	4S0063224	lockwasher 990 D8 (cplg)	
9902A chk pt no.	4S4057609	screw-upr chc M6x14 DACROMET	
9946A	4S4006398	washer-flat L6U (upper)	
2110	4S4006153	shaft 14dia x 270.6lg 316ss	
4213	4S4001256	stationary ring holder 304sst	
4240	4S4006136	seat-sc 14mm 25br/120dC epdm 6	
4220	4S4006135	seal-mech 14mm 25br/120dC e 28	
2460C	4S4005759	ring-spcr mseal 25bar 316ss 1	
6545B	4S4001318	stop ring 1/2" imp/seal 316ss	
2520	4S4005755	thrust ring (imp/spring) 316ss	
1154 chk pt no	4S4001260	stage ctrng w/ret vanes 304ss	
2410	4S4001277	spacer-imp vms15-30 316ss	
2250	4S4001282	impeller 98 dia, b=2 304ss	
1150 chk pt no	4S4001270	stage w/rtn guide vanes 304ss	
2460D	4S4005760	spacer-int ring 1.5mm 316sst	
3400	4S4006086	sleeve-shaft 14ix18ox13.8l tc	
2460A	4S4006083	spacer-shaft slv 4.3mm 316ss	
3044 chk pt no	4S4001274	stage w/ r.g.v. & brg 304ss	
1160	4S4001266	stage w/o ret guide vanes 304	
2911A	4S4006203	washer-shaft end 13.8ix4.5 316	
9942	4S0064697	lockwasher 316ss DEC.M8 (lwr)	
9902B chk pt no	4S4019938	screw-lwr sft end M8x20 316ss	
9130 chk pt no	4S4058603	Outer jacket tube 191.64 304SS	
4610B	4S4006401	o-ring tube epdm 145.65ix3.53t	
1111 chk pt no	4S4001293	casing 316ss ANSI 1.25-250	
9923B	4S0064567	nut-tie bolt H.M12 pltd zinc	
9946B	4S0064659	washer BL D12 (under 9923B)	
6571	4S4006381	bolt-tie M12 317mm lg stl	
7450A	4S4030446	guard-cplg ft85/ft130 (180tc)	
7450B	4S4030445	clip-cplg guard fixing	
4610A	4S4006137	o-ring-plug epdm 13.1ix2.62thk	
6521	4S4005764	plug-vent/fill 3/8" npt 316sst	
4610C	4S4006400	o-ring plug epdm 9.19ix2.62thk	
4610D	4S4006137	o-ring-plug epdm 13.1ix2.62thk	
6515 chk pt no	4S4017494	plug-prime & drain 3/8" 316sst	
NOT SHOWN	927211-100	motor bolt lockwasher 3/8" stl	
1720	4S4003109	base machined ci pn25 ansi 250	

VERTICAL MULTISTAGE PUMPS PARTS

MODEL NUMBER VMS 1507 - THREE PHASE

Item No.	Part No.	Part Description	Bar Code
3160	427552-011	bracket-mtr ci 180TC 4700	
7212	4S4019115	cplg-m/c 14mmx1.125 180TC6209	
3011	971101-384	bearing 45mm 6209c3-2rs	
6545A	923100-120	ring-rtng int stl 88.5 mm	
6546	923104-445	ring-retaining ext stl 1.77	
4610E	4S0057819	o-ring bun 85.32ix3.53thk	
9902D	911821-110	hshcs 1/2-13x 1.5 stl	
9902C	4S0312103	screw-cplg/mtr zinc pltd M6x20	
9946C	4S0063224	lockwasher 990 D8 (cplg)	
9902A chk pt no.	4S4057609	screw-upr chc M6x14 DACROMET	
9946A	4S4006398	washer-flat L6U (upper)	
2110	4S4006153	shaft 14dia x 270.6lg 316ss	
4213	4S4001256	stationary ring holder 304sst	
4240	4S4006136	seat-sc 14mm 25br/120dC epdm 6	
4220	4S4006135	seal-mech 14mm 25br/120dC e 28	
2460C	4S4005759	ring-spcr mseal 25bar 316ss 1	
6545B	4S4001318	stop ring 1/2" imp/seal 316ss	
2520	4S4005755	thrust ring (imp/spring) 316ss	
1154 chk pt no	4S4001260	stage ctrng w/ret vanes 304ss	
2410	4S4001277	spacer-imp vms15-30 316ss	
2250	4S4001282	impeller 98 dia, b=2 304ss	
1150 chk pt no	4S4001270	stage w/rtn guide vanes 304ss	
2460D	4S4005760	spacer-int ring 1.5mm 316sst	
3400	4S4006086	sleeve-shaft 14ix18ox13.8l tc	
2460A	4S4006083	spacer-shaft slv 4.3mm 316ss	
3044 chk pt no	4S4001274	stage w/ r.g.v. & brg 304ss	
1160	4S4001266	stage w/o ret guide vanes 304	
2911A	4S4006203	washer-shaft end 13.8ix4.5 316	
9942	4S0064697	lockwasher 316ss DEC.M8 (lwr)	
9902B chk pt no	4S4019938	screw-lwr sft end M8x20 316ss	
9130 chk pt no	4S4058603	Outer jacket tube 191.64 304SS	
4610B	4S4006401	o-ring tube epdm 145.65ix3.53t	
1111 chk pt no	4S4001293	casing 316ss ANSI 1.25-250	
9923B	4S0064567	nut-tie bolt H.M12 pltd zinc	
9946B	4S0064659	washer BL D12 (under 9923B)	
6571	4S4006381	bolt-tie M12 317mm lg stl	
7450A	4S4030446	guard-cplg ft85/ft130 (180tc)	
7450B	4S4030445	clip-cplg guard fixing	
4610A	4S4006137	o-ring-plug epdm 13.1ix2.62thk	
6521	4S4005764	plug-vent/fill 3/8"npt 316sst	
4610C	4S4006400	o-ring plug epdm 9.19ix2.62thk	
4610D	4S4006137	o-ring-plug epdm 13.1ix2.62thk	
6515 chk pt no	4S4017494	plug-prime & drain 3/8" 316sst	
NOT SHOWN	927211-100	motor bolt lockwasher 3/8" stl	
1720	4S4003109	base machined ci pn25 ansi 250	

VERTICAL MULTISTAGE PUMPS PARTS

MODEL NUMBER VMS 1508 - SINGLE PHASE

Item No.	Part No.	Part Description	Bar Code
3160	427551-011	bracket-mtr ci 140TC 4700	
7212	4S4019114	cplg-m/c 14mmx.875in 140TC6207	
3011	971101-364	bearing 35mm 6207c3-2rs	
6545A	923100-110	ring-rtng int stl 75 mm	
6546	923104-440	ring-rtng ext sst 1.37	
4610E	4S4014511	o-ring-brg bun 72.62ix3.53thk	
9902D	911821-110	hshcs 1/2-13x 1.5 stl	
9902C	4S0312103	screw-cplg/mtr zinc pltd M6x20	
9946C	4S0063224	lockwasher 990 D8 (cplg)	
9902A chk pt no.	4S4057609	screw-upr chc M6x14 DACROMET	
9946A	4S4006398	washer-flat L6U (upper)	
2110	4S4006157	shaft 14dia x 294.6lg 316ss	
4213	4S4001256	stationary ring holder 304sst	
4240	4S4006136	seat-sc 14mm 25br/120dC epdm 6	
4220	4S4006135	seal-mech 14mm 25br/120dC e 28	
2460C	4S4005759	ring-spcr mseal 25bar 316ss 1	
6545B	4S4001318	stop ring 1/2" imp/seal 316ss	
2520	4S4005755	thrust ring (imp/spring) 316ss	
1154 chk pt no	4S4001260	stage ctrng w/ret vanes 304ss	
2410	4S4001277	spacer-imp vms15-30 316ss	
2250	4S4001282	impeller 98 dia, b=2 304ss	
1150 chk pt no	4S4001270	stage w/rtn guide vanes 304ss	
2460D	4S4005760	spacer-int ring 1.5mm 316sst	
3400	4S4006086	sleeve-shaft 14ix18ox13.8l tc	
2460A	4S4006083	spacer-shaft slv 4.3mm 316ss	
3044 chk pt no	4S4001274	stage w/ r.g.v. & brg 304ss	
1160	4S4001266	stage w/o ret guide vanes 304	
2911A	4S4006203	washer-shaft end 13.8ix4.5 316	
9942	4S0064697	lockwasher 316ss DEC.M8 (lwr)	
9902B chk pt no	4S4019938	screw-lwr sft end M8x20 316ss	
9130 chk pt no	4S4058605	Outer jacket tube 215.66 304SS	
4610B	4S4006401	o-ring tube epdm 145.65ix3.53t	
1111 chk pt no	4S4001293	casing 316ss ANSI 1.25-250	
9923B	4S0064567	nut-tie bolt H.M12 pltd zinc	
9946B	4S0064659	washer BL D12 (under 9923B)	
6571	4S4006382	bolt-tie M12 341mm lg stl	
7450A	4S4030446	guard-cplg ft85/ft130 (180tc)	
7450B	4S4030445	clip-cplg guard fixing	
4610A	4S4006137	o-ring-plug epdm 13.1ix2.62thk	
6521	4S4005764	plug-vent/fill 3/8" npt 316sst	
4610C	4S4006400	o-ring plug epdm 9.19ix2.62thk	
4610D	4S4006137	o-ring-plug epdm 13.1ix2.62thk	
6515 chk pt no	4S4017494	plug-prime & drain 3/8" 316sst	
NOT SHOWN	927211-100	motor bolt lockwasher, 1/2" stl	
1720	4S4003109	base machined ci pn25 ansi 250	

VERTICAL MULTISTAGE PUMPS PARTS

MODEL NUMBER VMS 1508 - THREE PHASE

Item No.	Part No.	Part Description	Bar Code
3160		bracket-mtr ci 180TC 4700	
7212		cplg-m/c 14mmx1.125 180TC6209	
3011		bearing 45mm 6209c3-2rs	
6545A		ring-rtng int stl 88.5 mm	
6546		ring-retaining ext stl 1.77	
4610E		o-ring bun 85.32ix3.53thk	
9902D		hshcs 1/2-13x 1.5 stl	
9902C		screw, znc pltd M8*25*18	
9946C		lockwasher 990 D8 (cplg)	
9902A chk pt no.		screw-upr chc M6x14 DACROMET	
9946A		washer-flat L6U (upper)	
2110		shaft 14dia x 294.6lg 316ss	
4213		stationary ring holder 304sst	
4240		seat-sc 14mm 25br/120dC epdm 6	
4220		seal-mech 14mm 25br/120dC e 28	
2460C		ring-spcr mseal 25bar 316ss 1	
6545B		stop ring 1/2" imp/seal 316ss	
2520		thrust ring (imp/spring) 316ss	
1154 chk pt no		stage ctrng w/ret vanes 304ss	
2410		spacer-imp vms15-30 316ss	
2250		impeller 98 dia, b=2 304ss	
1150 chk pt no		stage w/rtn guide vanes 304ss	
2460D		spacer-int ring 1.5mm 316sst	
3400		sleeve-shaft 14ix18ox13.8l tc	
2460A		spacer-shaft slv 4.3mm 316ss	
3044 chk pt no		stage w/ r.g.v. & brg 304ss	
1160		stage w/o ret guide vanes 304	
2911A		washer-shaft end 13.8ix4.5 316	
9942		lockwasher 316ss DEC.M8 (lwr)	
9902B chk pt no		screw-lwr sft end M8x20 316ss	
9130 chk pt no		Outer jacket tube 215.66 304SS	
4610B		o-ring tube epdm 145.65ix3.53t	
1111 chk pt no		casing 316ss ANSI 1.25-250	
9923B		nut-tie bolt H.M12 pltd zinc	
9946B		washer BL D12 (under 9923B)	
6571		bolt-tie M12 341mm lg stl	
7450A		guard-cplg ft85/ft130 (180tc)	
7450B		clip-cplg guard fixing	
4610A		o-ring-plug epdm 13.1ix2.62thk	
6521		plug-vent/fill 3/8"npt 316sst	
4610C		o-ring plug epdm 9.19ix2.62thk	
4610D		o-ring-plug epdm 13.1ix2.62thk	
6515 chk pt no		plug-prime & drain 3/8" 316sst	
NOT SHOWN	927211-100	motor bolt lockwasher 3/8" stl	
1720	4S4003109	base machined ci pn25 ansi 250	

VERTICAL MULTISTAGE PUMPS PARTS

MODEL NUMBER VMS 1510 - SINGLE & THREE PHASE

Item No.	Part No.	Part Description	Bar Code
3160	427552-011	bracket-mtr ci 180TC 4700	
7212	4S4019115	cplg-m/c 14mmx1.125 180TC6209	
3011	971101-384	bearing 45mm 6209c3-2rs	
6545A	923100-120	ring-rtng int stl 88.5 mm	
6546	923104-445	ring-retaining ext stl 1.77	
4610E	4S0057819	o-ring bun 85.32ix3.53thk	
9902D	911825-112	hshcs 1/2-13x 1.5 stl	
9902C	4S0312103	screw, znc pltd M8*25*18	
9946C	4S0063224	lockwasher 990 D8 (cplg)	
9902A chk pt no.	4S4057609	screw-upr chc M6x14 DACROMET	
9946A	4S4006398	washer-flat L6U (upper)	
2110	4S4006161	shaft 14dia x 342.6lg 316ss	
4213	4S4001256	stationary ring holder 304sst	
4240	4S4006136	seat-sc 14mm 25br/120dC epdm 6	
4220	4S4006135	seal-mech 14mm 25br/120dC e 28	
2460C	4S4005759	ring-spcr mseal 25bar 316ss 1	
6545B	4S4001318	stop ring 1/2" imp/seal 316ss	
2520	4S4005755	thrust ring (imp/spring) 316ss	
1154 chk pt no	4S4001260	stage ctrng w/ret vanes 304ss	
2410	4S4001277	spacer-imp vms15-30 316ss	
2250	4S4001282	impeller 98 dia, b=2 304ss	
1150 chk pt no	4S4001270	stage w/rtn guide vanes 304ss	
2460D	4S4005760	spacer-int ring 1.5mm 316sst	
3400	4S4006086	sleeve-shaft 14ix18ox13.8l tc	
2460A	4S4006083	spacer-shaft slv 4.3mm 316ss	
3044 chk pt no	4S4001274	stage w/ r.g.v. & brg 304ss	
1160	4S4001266	stage w/o ret guide vanes 304	
2911A	4S4006203	washer-shaft end 13.8ix4.5 316	
9942	4S0064697	lockwasher 316ss DEC.M8 (lwr)	
9902B chk pt no	4S4019938	screw-lwr sft end M8x20 316ss	
9130 chk pt no	4S4058611	Outer jacket tube 263.70 304SS	
4610B	4S4006401	o-ring tube epdm 145.65ix3.53t	
1111 chk pt no	4S4001293	casing 316ss ANSI 1.25-250	
9923B	4S0064567	nut-tie bolt H.M12 pltd zinc	
9946B	4S0064659	washer BL D12 (under 9923B)	
6571	4S4006385	bolt-tie M12 389mm lg stl	
7450A	4S4030446	guard-cplg ft85/ft130 (180tc)	
7450B	4S4030445	clip-cplg guard fixing	
4610A	4S4006137	o-ring-plug epdm 13.1ix2.62thk	
6521	4S4005764	plug-vent/fill 3/8" npt 316sst	
4610C	4S4006400	o-ring plug epdm 9.19ix2.62thk	
4610D	4S4006137	o-ring-plug epdm 13.1ix2.62thk	
6515 chk pt no	4S4017494	plug-prime & drain 3/8" 316sst	
NOT SHOWN	927213-100	motor bolt lockwasher, 1/2" stl	
1720	4S4003109	base machined ci pn25 ansi 250	

VERTICAL MULTISTAGE PUMPS PARTS

MODEL NUMBER VMS 1512 - THREE PHASE

Item No.	Part No.	Part Description	Bar Code
3160	427552-011	bracket-mtr ci 180TC 4700	
7212	4S4019115	cplg-m/c 14mmx1.125 180TC6209	
3011	971101-384	bearing 45mm 6209c3-2rs	
6545A	923100-120	ring-rtng int stl 88.5 mm	
6546	923104-445	ring-retaining ext stl 1.77	
4610E	4S0057819	o-ring bun 85.32ix3.53thk	
9902D	911825-112	hshcs 1/2-13x 1.5 stl	
9902C	4S0312103	screw, znc pltd M8*25*18	
9946C	4S0063224	lockwasher 990 D8 (cplg)	
9902A chk pt no.	4S4057609	screw-upr chc M6x14 DACROMET	
9946A	4S4006398	washer-flat L6U (upper)	
2110	4S4006163	shaft 14dia x 390.7lg 316ss	
4213	4S4001256	stationary ring holder 304sst	
4240	4S4006136	seat-sc 14mm 25br/120dC epdm 6	
4220	4S4006135	seal-mech 14mm 25br/120dC e 28	
2460C	4S4005759	ring-spcr mseal 25bar 316ss 1	
6545B	4S4001318	stop ring 1/2" imp/seal 316ss	
2520	4S4005755	thrust ring (imp/spring) 316ss	
1154 chk pt no	4S4001260	stage ctrng w/ret vanes 304ss	
2410	4S4001277	spacer-imp vms15-30 316ss	
2250	4S4001282	impeller 98 dia, b=2 304ss	
1150 chk pt no	4S4001270	stage w/rtn guide vanes 304ss	
2460D	4S4005760	spacer-int ring 1.5mm 316sst	
3400	4S4006086	sleeve-shaft 14ix18ox13.8l tc	
2460A	4S4006083	spacer-shaft slv 4.3mm 316ss	
3044 chk pt no	4S4001274	stage w/ r.g.v. & brg 304ss	
1160	4S4001266	stage w/o ret guide vanes 304	
2911A	4S4006203	washer-shaft end 13.8ix4.5 316	
9942	4S0064697	lockwasher 316ss DEC.M8 (lwr)	
9902B chk pt no	4S4019938	screw-lwr sft end M8x20 316ss	
9130 chk pt no	4S4058615	Outer jacket tube 311.74 304SS	
4610B	4S4006401	o-ring tube epdm 145.65ix3.53t	
1111 chk pt no	4S4001293	casing 316ss ANSI 1.25-250	
9923B	4S0064567	nut-tie bolt H.M12 pltd zinc	
9946B	4S0064659	washer BL D12 (under 9923B)	
6571	4S4006387	bolt-tie M12 437mm lg stl	
7450A	4S4030446	guard-cplg ft85/ft130 (180tc)	
7450B	4S4030445	clip-cplg guard fixing	
4610A	4S4006137	o-ring-plug epdm 13.1ix2.62thk	
6521	4S4005764	plug-vent/fill 3/8"npt 316sst	
4610C	4S4006400	o-ring plug epdm 9.19ix2.62thk	
4610D	4S4006137	o-ring-plug epdm 13.1ix2.62thk	
6515 chk pt no	4S4017494	plug-prime & drain 3/8" 316sst	
NOT SHOWN	927213-100	motor bolt lockwasher, 1/2" stl	
1720	4S4003109	base machined ci pn25 ansi 250	

VERTICAL MULTISTAGE PUMPS PARTS

MODEL NUMBER VMS 1514 - SINGLE & THREE PHASE

Item No.	Part No.	Part Description	Bar Code
3160	427552-011	bracket-mtr ci 180TC 4700	
7212	4S4019115	cplg-m/c 14mmx1.125 180TC6209	
3011	971101-384	bearing 45mm 6209c3-2rs	
6545A	923100-120	ring-rtng int stl 88.5 mm	
6546	923104-445	ring-retaining ext stl 1.77	
4610E	4S0057819	o-ring bun 85.32ix3.53thk	
9902D	911825-112	hshcs 1/2-13x 1.5 stl	
9902C	4S0312103	screw, znc pltd M8*25*18	
9946C	4S0063224	lockwasher 990 D8 (cplg)	
9902A chk pt no.	4S4057609	screw-upr chc M6x14 DACROMET	
9946A	4S4006398	washer-flat L6U (upper)	
2110	4S4006167	shaft 14dia x 438.7lg 316ss	
4213	4S4001256	stationary ring holder 304sst	
4240	4S4006136	seat-sc 14mm 25br/120dC epdm 6	
4220	4S4006135	seal-mech 14mm 25br/120dC e 28	
2460C	4S4005759	ring-spcr mseal 25bar 316ss 1	
6545B	4S4001318	stop ring 1/2" imp/seal 316ss	
2520	4S4005755	thrust ring (imp/spring) 316ss	
1154 chk pt no	4S4001260	stage ctrng w/ret vanes 304ss	
2410	4S4001277	spacer-imp vms15-30 316ss	
2250	4S4001282	impeller 98 dia, b=2 304ss	
1150 chk pt no	4S4001270	stage w/rtn guide vanes 304ss	
2460D	4S4005760	spacer-int ring 1.5mm 316sst	
3400	4S4006086	sleeve-shaft 14ix18ox13.8l tc	
2460A	4S4006083	spacer-shaft slv 4.3mm 316ss	
3044 chk pt no	4S4001274	stage w/ r.g.v. & brg 304ss	
1160	4S4001266	stage w/o ret guide vanes 304	
2911A	4S4006203	washer-shaft end 13.8ix4.5 316	
9942	4S0064697	lockwasher 316ss DEC.M8 (lwr)	
9902B chk pt no	4S4019938	screw-lwr sft end M8x20 316ss	
9130 chk pt no	4S4058619	Outer jacket tube 359.78 304SS	
4610B	4S4006401	o-ring tube epdm 145.65ix3.53t	
1111 chk pt no	4S4001293	casing 316ss ANSI 1.25-250	
9923B	4S0064567	nut-tie bolt H.M12 pltd zinc	
9946B	4S0064659	washer BL D12 (under 9923B)	
6571	4S4006389	bolt-tie M12 485mm lg stl	
7450A	4S4030446	guard-cplg ft85/ft130 (180tc)	
7450B	4S4030445	clip-cplg guard fixing	
4610A	4S4006137	o-ring-plug epdm 13.1ix2.62thk	
6521	4S4005764	plug-vent/fill 3/8" npt 316sst	
4610C	4S4006400	o-ring plug epdm 9.19ix2.62thk	
4610D	4S4006137	o-ring-plug epdm 13.1ix2.62thk	
6515 chk pt no	4S4017494	plug-prime & drain 3/8" 316sst	
NOT SHOWN	927213-100	motor bolt lockwasher, 1/2" stl	
1720	4S4003109	base machined ci pn25 ansi 250	

VERTICAL MULTISTAGE PUMPS PARTS

MODEL NUMBER VMS 3002 - SINGLE & THREE PHASE

Item No.	Part No.	Part Description	Bar Code
3160	427550-011	bracket-mtr ci 56C 4700	
7212	4S4019113	cplg-m/c 14mm x.625in 56C-6206	
3011	971101-264	bearing 30mm 6206c3-2rs	
6545A	923100-100	ring-rtng int stl 65mm	
6546	923104-435	ring-rtng ext sst 1-3/16" dia	
4610E	4S4014510	o-ring-brg buna 63.1ix3.53thk	
9902D	911821-110	shcs 3/8-16nc x 1-1/4"	
9902C	4S0212113	screw-cplg/mtr zinc pltd M6x20	
9946C	4S0063223	lockwasher 990 D6 (cplg)	
9902A chk pt no.	4S4057609	screw-upr chc M6x14 DACROMET	
9946A	4S4006398	washer-flat L6U (upper)	
2110	4S4006141	shaft 14dia x 174.5lg 316ss	
4213	4S4001256	stationary ring holder 304sst	
4240	4S4006136	seat-sc 14mm 25br/120dC epdm 6	
4220	4S4006135	seal-mech 14mm 25br/120dC e 28	
2460C	4S4005759	ring-spcr mseal 25bar 316ss 1	
6545B	4S4001318	stop ring 1/2" imp/seal 316ss	
2520	4S4005755	thrust ring (imp/spring) 316ss	
1154 chk pt no	4S4001260	stage ctrng w/ret vanes 304ss	
2410	4S4001277	spacer-imp vms15-30 316ss	
2250	4S4001284	impeller 98 dia.,b=3.1 304ss	
1150 chk pt no	4S4001270	stage w/rtn guide vanes 304ss	
2460D	4S4005760	spacer-int ring 1.5mm 316sst	
3400	4S4006086	sleeve-shaft 14ix18ox13.8l tc	
2460A	4S4006083	spacer-shaft slv 4.3mm 316ss	
3044 chk pt no	4S4001274	stage w/ r.g.v. & brg 304ss	
1160	4S4001266	stage w/o ret guide vanes 304	
2911A	4S4005756	washer-shft end 8.2ix2.5 316ss	
9942	4S0064697	lockwasher 316ss DEC.M8 (lwr)	
9902B chk pt no	4S4019938	screw-lwr sft end M8x20 316ss	
9130 chk pt no	4S4058589	Outer jacket tube 95.56 304SS	
4610B	4S4006401	o-ring tube epdm 145.65ix3.53t	
1111 chk pt no	4S4001293	casing 316ss ANSI 1.25-250	
9923B	4S0064567	nut-tie bolt H.M12 pltd zinc	
9946B	4S0064659	washer BL D12 (under 9923B)	
6571	4S4006374	bolt-tie M12 221mm lg stl	
7450A	4S4030446	guard-cplg ft85/ft130 (180tc)	
7450B	4S4030445	clip-cplg guard fixing	
4610A	4S4006137	o-ring-plug epdm 13.1ix2.62thk	
6521	4S4005764	plug-vent/fill 3/8"npt 316sst	
4610C	4S4006400	o-ring plug epdm 9.19ix2.62thk	
4610D	4S4006137	o-ring-plug epdm 13.1ix2.62thk	
6515 chk pt no	4S4017494	plug-prime & drain 3/8" 316sst	
NOT SHOWN	927211-100	motor bolt lockwasher 3/8" stl	
1720	4S4003109	base machined ci pn25 ansi 250	

VERTICAL MULTISTAGE PUMPS PARTS

MODEL NUMBER VMS 3003 - SINGLE & THREE PHASE

Item No.	Part No.	Part Description	Bar Code
3160	427551-011	bracket-mtr ci 140TC 4700	
7212	4S4019114	cplg-m/c 14mmx.875in 140TC6207	
3011	971101-364	bearing 35mm 6207c3-2rs	
6545A	923100-110	ring-rtng int stl 75 mm	
6546	923104-440	ring-rtng ext sst 1.37	
4610E	4S4014511	o-ring-brg bun 72.62ix3.53thk	
9902D	911821-110	shcs 3/8-16nc x 1-1/4"	
9902C	4S0312103	screw, znc pltd M8*25*18	
9946C	4S0063224	lockwasher 990 D8 (cplg)	
9902A chk pt no.	4S4057609	screw-upr chc M6x14 DACROMET	
9946A	4S4006398	washer-flat L6U (upper)	
2110	4S4006141	shaft 14dia x 174.5lg 316ss	
4213	4S4001256	stationary ring holder 304sst	
4240	4S4006136	seat-sc 14mm 25br/120dC epdm 6	
4220	4S4006135	seal-mech 14mm 25br/120dC e 28	
2460C	4S4005759	ring-spcr mseal 25bar 316ss 1	
6545B	4S4001318	stop ring 1/2" imp/seal 316ss	
2520	4S4005755	thrust ring (imp/spring) 316ss	
1154 chk pt no	4S4001260	stage ctrng w/ret vanes 304ss	
2410	4S4001277	spacer-imp vms15-30 316ss	
2250	4S4001284	impeller 98 dia.,b=3.1 304ss	
1150 chk pt no	4S4001270	stage w/rtn guide vanes 304ss	
2460D	4S4005760	spacer-int ring 1.5mm 316sst	
3400	4S4006086	sleeve-shaft 14ix18ox13.8l tc	
2460A	4S4006083	spacer-shaft slv 4.3mm 316ss	
3044 chk pt no	4S4001274	stage w/ r.g.v. & brg 304ss	
1160	4S4001266	stage w/o ret guide vanes 304	
2911A	4S4005756	washer-shft end 8.2ix2.5 316ss	
9942	4S0064697	lockwasher 316ss DEC.M8 (lwr)	
9902B chk pt no	4S4019938	screw-lwr sft end M8x20 316ss	
9130 chk pt no	4S4058589	Outer jacket tube 95.56 304SS	
4610B	4S4006401	o-ring tube epdm 145.65ix3.53t	
1111 chk pt no	4S4001293	casing 316ss ANSI 1.25-250	
9923B	4S0064567	nut-tie bolt H.M12 pltd zinc	
9946B	4S0064659	washer BL D12 (under 9923B)	
6571	4S4006374	bolt-tie M12 221mm lg stl	
7450A	4S4030446	guard-cplg ft85/ft130 (180tc)	
7450B	4S4030445	clip-cplg guard fixing	
4610A	4S4006137	o-ring-plug epdm 13.1ix2.62thk	
6521	4S4005764	plug-vent/fill 3/8" npt 316sst	
4610C	4S4006400	o-ring plug epdm 9.19ix2.62thk	
4610D	4S4006137	o-ring-plug epdm 13.1ix2.62thk	
6515 chk pt no	4S4017494	plug-prime & drain 3/8" 316sst	
NOT SHOWN	927211-100	motor bolt lockwasher 3/8" stl	
1720	4S4003109	base machined ci pn25 ansi 250	

VERTICAL MULTISTAGE PUMPS PARTS

MODEL NUMBER VMS 3004 - SINGLE & THREE PHASE

Item No.	Part No.	Part Description	Bar Code
3160	427551-011	bracket-mtr ci 140TC 4700	
7212	4S4019114	cplg-m/c 14mmx.875in 140TC6207	
3011	971101-364	bearing 35mm 6207c3-2rs	
6545A	923100-110	ring-rtng int stl 75 mm	
6546	923104-440	ring-rtng ext sst 1.37	
4610E	4S4014511	o-ring-brg bun 72.62ix3.53thk	
9902D	911821-110	shcs 3/8-16nc x 1-1/4"	
9902C	4S0312103	screw, znc pltd M8*25*18	
9946C	4S0063224	lockwasher 990 D8 (cplg)	
9902A chk pt no.	4S4057609	screw-upr chc M6x14 DACROMET	
9946A	4S4006398	washer-flat L6U (upper)	
2110	4S4006145	shaft 14dia x 198.5lg 316ss	
4213	4S4001256	stationary ring holder 304sst	
4240	4S4006136	seat-sc 14mm 25br/120dC epdm 6	
4220	4S4006135	seal-mech 14mm 25br/120dC e 28	
2460C	4S4005759	ring-spcr mseal 25bar 316ss 1	
6545B	4S4001318	stop ring 1/2" imp/seal 316ss	
2520	4S4005755	thrust ring (imp/spring) 316ss	
1154 chk pt no	4S4001260	stage ctrng w/ret vanes 304ss	
2410	4S4001277	spacer-imp vms15-30 316ss	
2250	4S4001284	impeller 98 dia.,b=3.1 304ss	
1150 chk pt no	4S4001270	stage w/rtn guide vanes 304ss	
2460D	4S4005760	spacer-int ring 1.5mm 316sst	
3400	4S4006086	sleeve-shaft 14ix18ox13.8l tc	
2460A	4S4006083	spacer-shaft slv 4.3mm 316ss	
3044 chk pt no	4S4001274	stage w/ r.g.v. & brg 304ss	
1160	4S4001266	stage w/o ret guide vanes 304	
2911A	4S4005756	washer-shft end 8.2ix2.5 316ss	
9942	4S0064697	lockwasher 316ss DEC.M8 (lwr)	
9902B chk pt no	4S4019938	screw-lwr sft end M8x20 316ss	
9130 chk pt no	4S4058593	Outer jacket tube 119.58 304SS	
4610B	4S4006401	o-ring tube epdm 145.65ix3.53t	
1111 chk pt no	4S4001293	casing 316ss ANSI 1.25-250	
9923B	4S0064567	nut-tie bolt H.M12 pltd zinc	
9946B	4S0064659	washer BL D12 (under 9923B)	
6571	4S4006376	bolt-tie M12 245mm lg stl	
7450A	4S4030446	guard-cplg ft85/ft130 (180tc)	
7450B	4S4030445	clip-cplg guard fixing	
4610A	4S4006137	o-ring-plug epdm 13.1ix2.62thk	
6521	4S4005764	plug-vent/fill 3/8" npt 316sst	
4610C	4S4006400	o-ring plug epdm 9.19ix2.62thk	
4610D	4S4006137	o-ring-plug epdm 13.1ix2.62thk	
6515 chk pt no	4S4017494	plug-prime & drain 3/8" 316sst	
NOT SHOWN	927211-100	motor bolt lockwasher 3/8" stl	
1720	4S4003109	base machined ci pn25 ansi 250	

VERTICAL MULTISTAGE PUMPS PARTS

MODEL NUMBER VMS 3005 - SINGLE & THREE PHASE

Item No.	Part No.	Part Description	Bar Code
3160	427551-011	bracket-mtr ci 140TC 4700	
7212	4S4019114	cplg-m/c 14mmx.875in 140TC6207	
3011	971101-364	bearing 35mm 6207c3-2rs	
6545A	923100-110	ring-rtng int stl 75 mm	
6546	923104-440	ring-rtng ext sst 1.37	
4610E	4S4014511	o-ring-brg bun 72.62ix3.53thk	
9902D	911821-110	shcs 3/8-16nc x 1-1/4"	
9902C	4S0312103	screw, znc pltd M8*25*18	
9946C	4S0063224	lockwasher 990 D8 (cplg)	
9902A chk pt no.	4S4057609	screw-upr chc M6x14 DACROMET	
9946A	4S4006398	washer-flat L6U (upper)	
2110	4S4006147	shaft 14dia x 222.5lg 316ss	
4213	4S4001256	stationary ring holder 304sst	
4240	4S4006136	seat-sc 14mm 25br/120dC epdm 6	
4220	4S4006135	seal-mech 14mm 25br/120dC e 28	
2460C	4S4005759	ring-spcr mseal 25bar 316ss 1	
6545B	4S4001318	stop ring 1/2" imp/seal 316ss	
2520	4S4005755	thrust ring (imp/spring) 316ss	
1154 chk pt no	4S4001260	stage ctrng w/ret vanes 304ss	
2410	4S4001277	spacer-imp vms15-30 316ss	
2250	4S4001284	impeller 98 dia.,b=3.1 304ss	
1150 chk pt no	4S4001270	stage w/rtn guide vanes 304ss	
2460D	4S4005760	spacer-int ring 1.5mm 316sst	
3400	4S4006086	sleeve-shaft 14ix18ox13.8l tc	
2460A	4S4006083	spacer-shaft slv 4.3mm 316ss	
3044 chk pt no	4S4001274	stage w/ r.g.v. & brg 304ss	
1160	4S4001266	stage w/o ret guide vanes 304	
2911A	4S4005756	washer-shft end 8.2ix2.5 316ss	
9942	4S0064697	lockwasher 316ss DEC.M8 (lwr)	
9902B chk pt no	4S4019938	screw-lwr sft end M8x20 316ss	
9130 chk pt no	4S4058597	Outer jacket tube 143.60 304SS	
4610B	4S4006401	o-ring tube epdm 145.65ix3.53t	
1111 chk pt no	4S4001293	casing 316ss ANSI 1.25-250	
9923B	4S0064567	nut-tie bolt H.M12 pltd zinc	
9946B	4S0064659	washer BL D12 (under 9923B)	
6571	4S4006378	bolt-tie M12 269mm lg stl	
7450A	4S4030446	guard-cplg ft85/ft130 (180tc)	
7450B	4S4030445	clip-cplg guard fixing	
4610A	4S4006137	o-ring-plug epdm 13.1ix2.62thk	
6521	4S4005764	plug-vent/fill 3/8" npt 316sst	
4610C	4S4006400	o-ring plug epdm 9.19ix2.62thk	
4610D	4S4006137	o-ring-plug epdm 13.1ix2.62thk	
6515 chk pt no	4S4017494	plug-prime & drain 3/8" 316sst	
NOT SHOWN	927211-100	motor bolt lockwasher 3/8" stl	
1720	4S4003109	base machined ci pn25 ansi 250	

VERTICAL MULTISTAGE PUMPS PARTS

MODEL NUMBER VMS 3006 - SINGLE & THREE PHASE

Item No.	Part No.	Part Description	Bar Code
3160	427551-011	bracket-mtr ci 140TC 4700	
7212	4S4019114	cplg-m/c 14mmx.875in 140TC6207	
3011	971101-364	bearing 35mm 6207c3-2rs	
6545A	923100-110	ring-rtng int stl 75 mm	
6546	923104-440	ring-rtng ext sst 1.37	
4610E	4S4014511	o-ring-brg bun 72.62ix3.53thk	
9902D	911821-110	shcs 3/8-16nc x 1-1/4"	
9902C	4S0312103	screw, znc pltd M8*25*18	
9946C	4S0063224	lockwasher 990 D8 (cplg)	
9902A chk pt no.	4S4057609	screw-upr chc M6x14 DACROMET	
9946A	4S4006398	washer-flat L6U (upper)	
2110	4S4006149	shaft 14dia x 246.6lg 316ss	
4213	4S4001256	stationary ring holder 304sst	
4240	4S4006136	seat-sc 14mm 25br/120dC epdm 6	
4220	4S4006135	seal-mech 14mm 25br/120dC e 28	
2460C	4S4005759	ring-spcr mseal 25bar 316ss 1	
6545B	4S4001318	stop ring 1/2" imp/seal 316ss	
2520	4S4005755	thrust ring (imp/spring) 316ss	
1154 chk pt no	4S4001260	stage ctrng w/ret vanes 304ss	
2410	4S4001277	spacer-imp vms15-30 316ss	
2250	4S4001284	impeller 98 dia.,b=3.1 304ss	
1150 chk pt no	4S4001270	stage w/rtn guide vanes 304ss	
2460D	4S4005760	spacer-int ring 1.5mm 316sst	
3400	4S4006086	sleeve-shaft 14ix18ox13.8l tc	
2460A	4S4006083	spacer-shaft slv 4.3mm 316ss	
3044 chk pt no	4S4001274	stage w/ r.g.v. & brg 304ss	
1160	4S4001266	stage w/o ret guide vanes 304	
2911A	4S4005756	washer-shft end 8.2ix2.5 316ss	
9942	4S0064697	lockwasher 316ss DEC.M8 (lwr)	
9902B chk pt no	4S4019938	screw-lwr sft end M8x20 316ss	
9130 chk pt no	4S4058601	Outer jacket tube 167.62 304SS	
4610B	4S4006401	o-ring tube epdm 145.65ix3.53t	
1111 chk pt no	4S4001293	casing 316ss ANSI 1.25-250	
9923B	4S0064567	nut-tie bolt H.M12 pltd zinc	
9946B	4S0064659	washer BL D12 (under 9923B)	
6571	4S4006380	bolt-tie M12 293mm lg stl	
7450A	4S4030446	guard-cplg ft85/ft130 (180tc)	
7450B	4S4030445	clip-cplg guard fixing	
4610A	4S4006137	o-ring-plug epdm 13.1ix2.62thk	
6521	4S4005764	plug-vent/fill 3/8" npt 316sst	
4610C	4S4006400	o-ring plug epdm 9.19ix2.62thk	
4610D	4S4006137	o-ring-plug epdm 13.1ix2.62thk	
6515 chk pt no	4S4017494	plug-prime & drain 3/8" 316sst	
NOT SHOWN	927211-100	motor bolt lockwasher 3/8" stl	
1720	4S4003109	base machined ci pn25 ansi 250	

VERTICAL MULTISTAGE PUMPS PARTS

MODEL NUMBER VMS 3007 - SINGLE PHASE

Item No.	Part No.	Part Description	Bar Code
3160	427552-011	bracket-mtr ci 180TC 4700	
7212	4S4019115	cplg-m/c 14mmx1.125 180TC6209	
3011	971101-384	bearing 45mm 6209c3-2rs	
6545A	923100-120	ring-rtng int stl 88.5 mm	
6546	923104-445	ring-retaining ext stl 1.77	
4610E	4S0057819	o-ring bun 85.32ix3.53thk	
9902D	911825-112	hshcs 1/2-13x 1.5 stl	
9902C	4S0312103	screw, znc pltd M8*25*18	
9946C	4S0063224	lockwasher 990 D8 (cplg)	
9902A chk pt no.	4S4057609	screw-upr chc M6x14 DACROMET	
9946A	4S4006398	washer-flat L6U (upper)	
2110	4S4006153	shaft 14dia x 270.6lg 316ss	
4213	4S4001256	stationary ring holder 304sst	
4240	4S4006136	seat-sc 14mm 25br/120dC epdm 6	
4220	4S4006135	seal-mech 14mm 25br/120dC e 28	
2460C	4S4005759	ring-spcr mseal 25bar 316ss 1	
6545B	4S4001318	stop ring 1/2" imp/seal 316ss	
2520	4S4005755	thrust ring (imp/spring) 316ss	
1154 chk pt no	4S4001260	stage ctrng w/ret vanes 304ss	
2410	4S4001277	spacer-imp vms15-30 316ss	
2250	4S4001284	impeller 98 dia.,b=3.1 304ss	
1150 chk pt no	4S4001270	stage w/rtn guide vanes 304ss	
2460D	4S4005760	spacer-int ring 1.5mm 316sst	
3400	4S4006086	sleeve-shaft 14ix18ox13.8l tc	
2460A	4S4006083	spacer-shaft slv 4.3mm 316ss	
3044 chk pt no	4S4001274	stage w/ r.g.v. & brg 304ss	
1160	4S4001266	stage w/o ret guide vanes 304	
2911A	4S4005756	washer-shft end 8.2ix2.5 316ss	
9942	4S0064697	lockwasher 316ss DEC.M8 (lwr)	
9902B chk pt no	4S4019938	screw-lwr sft end M8x20 316ss	
9130 chk pt no	4S4058603	Outer jacket tube 191.64 304SS	
4610B	4S4006401	o-ring tube epdm 145.65ix3.53t	
1111 chk pt no	4S4001293	casing 316ss ANSI 1.25-250	
9923B	4S0064567	nut-tie bolt H.M12 pltd zinc	
9946B	4S0064659	washer BL D12 (under 9923B)	
6571	4S4006381	bolt-tie M12 317mm lg stl	
7450A	4S4030446	guard-cplg ft85/ft130 (180tc)	
7450B	4S4030445	clip-cplg guard fixing	
4610A	4S4006137	o-ring-plug epdm 13.1ix2.62thk	
6521	4S4005764	plug-vent/fill 3/8" npt 316sst	
4610C	4S4006400	o-ring plug epdm 9.19ix2.62thk	
4610D	4S4006137	o-ring-plug epdm 13.1ix2.62thk	
6515 chk pt no	4S4017494	plug-prime & drain 3/8" 316sst	
NOT SHOWN	927213-100	motor bolt lockwasher, 1/2" stl	
1720	4S4003109	base machined ci pn25 ansi 250	

VERTICAL MULTISTAGE PUMPS PARTS

MODEL NUMBER VMS 3008 - THREE PHASE

Item No.	Part No.	Part Description	Bar Code
3160	427552-011	bracket-mtr ci 180TC 4700	
7212	4S4019115	cplg-m/c 14mmx1.125 180TC6209	
3011	971101-384	bearing 45mm 6209c3-2rs	
6545A	923100-120	ring-rtng int stl 88.5 mm	
6546	923104-445	ring-retaining ext stl 1.77	
4610E	4S0057819	o-ring bun 85.32ix3.53thk	
9902D	911825-112	hshcs 1/2-13x 1.5 stl	
9902C	4S0312103	screw, znc pltd M8*25*18	
9946C	4S0063224	lockwasher 990 D8 (cplg)	
9902A chk pt no.	4S4057609	screw-upr chc M6x14 DACROMET	
9946A	4S4006398	washer-flat L6U (upper)	
2110	4S4006157	shaft 14dia x 294.6lg 316ss	
4213	4S4001256	stationary ring holder 304sst	
4240	4S4006136	seat-sc 14mm 25br/120dC epdm 6	
4220	4S4006135	seal-mech 14mm 25br/120dC e 28	
2460C	4S4005759	ring-spcr mseal 25bar 316ss 1	
6545B	4S4001318	stop ring 1/2" imp/seal 316ss	
2520	4S4005755	thrust ring (imp/spring) 316ss	
1154 chk pt no	4S4001260	stage ctrng w/ret vanes 304ss	
2410	4S4001277	spacer-imp vms15-30 316ss	
2250	4S4001284	impeller 98 dia.,b=3.1 304ss	
1150 chk pt no	4S4001270	stage w/rtn guide vanes 304ss	
2460D	4S4005760	spacer-int ring 1.5mm 316sst	
3400	4S4006086	sleeve-shaft 14ix18ox13.8l tc	
2460A	4S4006083	spacer-shaft slv 4.3mm 316ss	
3044 chk pt no	4S4001274	stage w/ r.g.v. & brg 304ss	
1160	4S4001266	stage w/o ret guide vanes 304	
2911A	4S4005756	washer-shft end 8.2ix2.5 316ss	
9942	4S0064697	lockwasher 316ss DEC.M8 (lwr)	
9902B chk pt no	4S4019938	screw-lwr sft end M8x20 316ss	
9130 chk pt no	4S4058605	Outer jacket tube 215.66 304SS	
4610B	4S4006401	o-ring tube epdm 145.65ix3.53t	
1111 chk pt no	4S4001293	casing 316ss ANSI 1.25-250	
9923B	4S0064567	nut-tie bolt H.M12 pltd zinc	
9946B	4S0064659	washer BL D12 (under 9923B)	
6571	4S4006382	bolt-tie M12 341mm lg stl	
7450A	4S4030446	guard-cplg ft85/ft130 (180tc)	
7450B	4S4030445	clip-cplg guard fixing	
4610A	4S4006137	o-ring-plug epdm 13.1ix2.62thk	
6521	4S4005764	plug-vent/fill 3/8" npt 316sst	
4610C	4S4006400	o-ring plug epdm 9.19ix2.62thk	
4610D	4S4006137	o-ring-plug epdm 13.1ix2.62thk	
6515 chk pt no	4S4017494	plug-prime & drain 3/8" 316sst	
NOT SHOWN	927213-100	motor bolt lockwasher, 1/2" stl	
1720	4S4003109	base machined ci pn25 ansi 250	

VERTICAL MULTISTAGE PUMPS PARTS

MODEL NUMBER VMS 3010 - SINGLE & THREE PHASE

Item No.	Part No.	Part Description	Bar Code
3160	427552-011	bracket-mtr ci 180TC 4700	
7212	4S4019115	cplg-m/c 14mmx1.125 180TC6209	
3011	971101-384	bearing 45mm 6209c3-2rs	
6545A	923100-120	ring-rtng int stl 88.5 mm	
6546	923104-445	ring-retaining ext stl 1.77	
4610E	4S0057819	o-ring bun 85.32ix3.53thk	
9902D	911825-112	hshcs 1/2-13x 1.5 stl	
9902C	4S0312103	screw, znc pltd M8*25*18	
9946C	4S0063224	lockwasher 990 D8 (cplg)	
9902A chk pt no.	4S4057609	screw-upr chc M6x14 DACROMET	
9946A	4S4006398	washer-flat L6U (upper)	
2110	4S4006161	shaft 14dia x 342.6lg 316ss	
4213	4S4001256	stationary ring holder 304sst	
4240	4S4006136	seat-sc 14mm 25br/120dC epdm 6	
4220	4S4006135	seal-mech 14mm 25br/120dC e 28	
2460C	4S4005759	ring-spcr mseal 25bar 316ss 1	
6545B	4S4001318	stop ring 1/2" imp/seal 316ss	
2520	4S4005755	thrust ring (imp/spring) 316ss	
1154 chk pt no	4S4001260	stage ctrng w/ret vanes 304ss	
2410	4S4001277	spacer-imp vms15-30 316ss	
2250	4S4001284	impeller 98 dia.,b=3.1 304ss	
1150 chk pt no	4S4001270	stage w/rtn guide vanes 304ss	
2460D	4S4005760	spacer-int ring 1.5mm 316sst	
3400	4S4006086	sleeve-shaft 14ix18ox13.8l tc	
2460A	4S4006083	spacer-shaft slv 4.3mm 316ss	
3044 chk pt no	4S4001274	stage w/ r.g.v. & brg 304ss	
1160	4S4001266	stage w/o ret guide vanes 304	
2911A	4S4005756	washer-shft end 8.2ix2.5 316ss	
9942	4S0064697	lockwasher 316ss DEC.M8 (lwr)	
9902B chk pt no	4S4019938	screw-lwr sft end M8x20 316ss	
9130 chk pt no	4S4058611	Outer jacket tube 263.70 304SS	
4610B	4S4006401	o-ring tube epdm 145.65ix3.53t	
1111 chk pt no	4S4001293	casing 316ss ANSI 1.25-250	
9923B	4S0064567	nut-tie bolt H.M12 pltd zinc	
9946B	4S0064659	washer BL D12 (under 9923B)	
6571	4S4006385	bolt-tie M12 389mm lg stl	
7450A	4S4030446	guard-cplg ft85/ft130 (180tc)	
7450B	4S4030445	clip-cplg guard fixing	
4610A	4S4006137	o-ring-plug epdm 13.1ix2.62thk	
6521	4S4005764	plug-vent/fill 3/8" npt 316sst	
4610C	4S4006400	o-ring plug epdm 9.19ix2.62thk	
4610D	4S4006137	o-ring-plug epdm 13.1ix2.62thk	
6515 chk pt no	4S4017494	plug-prime & drain 3/8" 316sst	
NOT SHOWN	927213-100	motor bolt lockwasher, 1/2" stl	
1720	4S4003109	base machined ci pn25 ansi 250	

VERTICAL MULTISTAGE PUMPS PARTS

MODEL NUMBER VMS 3012 - SINGLE PHASE

Item No.	Part No.	Part Description	Bar Code
3160	427552-011	bracket-mtr ci 180TC 4700	
7212	4S4019115	cplg-m/c 14mmx1.125 180TC6209	
3011	971101-384	bearing 45mm 6209c3-2rs	
6545A	923100-120	ring-rtng int stl 88.5 mm	
6546	923104-445	ring-retaining ext stl 1.77	
4610E	4S0057819	o-ring bun 85.32ix3.53thk	
9902D	911825-112	hshcs 1/2-13x 1.5 stl	
9902C	4S0312103	screw, znc pltd M8*25*18	
9946C	4S0063224	lockwasher 990 D8 (cplg)	
9902A chk pt no.	4S4057609	screw-upr chc M6x14 DACROMET	
9946A	4S4006398	washer-flat L6U (upper)	
2110	4S4006163	shaft 14dia x 390.7lg 316ss	
4213	4S4001256	stationary ring holder 304sst	
4240	4S4006136	seat-sc 14mm 25br/120dC epdm 6	
4220	4S4006135	seal-mech 14mm 25br/120dC e 28	
2460C	4S4005759	ring-spcr mseal 25bar 316ss 1	
6545B	4S4001318	stop ring 1/2" imp/seal 316ss	
2520	4S4005755	thrust ring (imp/spring) 316ss	
1154 chk pt no	4S4001260	stage ctrng w/ret vanes 304ss	
2410	4S4001277	spacer-imp vms15-30 316ss	
2250	4S4001284	impeller 98 dia.,b=3.1 304ss	
1150 chk pt no	4S4001270	stage w/rtn guide vanes 304ss	
2460D	4S4005760	spacer-int ring 1.5mm 316sst	
3400	4S4006086	sleeve-shaft 14ix18ox13.8l tc	
2460A	4S4006083	spacer-shaft slv 4.3mm 316ss	
3044 chk pt no	4S4001274	stage w/ r.g.v. & brg 304ss	
1160	4S4001266	stage w/o ret guide vanes 304	
2911A	4S4005756	washer-shft end 8.2ix2.5 316ss	
9942	4S0064697	lockwasher 316ss DEC.M8 (lwr)	
9902B chk pt no	4S4019938	screw-lwr sft end M8x20 316ss	
9130 chk pt no	4S4058615	Outer jacket tube 311.74 304SS	
4610B	4S4006401	o-ring tube epdm 145.65ix3.53t	
1111 chk pt no	4S4001293	casing 316ss ANSI 1.25-250	
9923B	4S0064567	nut-tie bolt H.M12 pltd zinc	
9946B	4S0064659	washer BL D12 (under 9923B)	
6571	4S4006387	bolt-tie M12 437mm lg stl	
7450A	4S4030446	guard-cplg ft85/ft130 (180tc)	
7450B	4S4030445	clip-cplg guard fixing	
4610A	4S4006137	o-ring-plug epdm 13.1ix2.62thk	
6521	4S4005764	plug-vent/fill 3/8" npt 316sst	
4610C	4S4006400	o-ring plug epdm 9.19ix2.62thk	
4610D	4S4006137	o-ring-plug epdm 13.1ix2.62thk	
6515 chk pt no	4S4017494	plug-prime & drain 3/8" 316sst	
NOT SHOWN	927213-100	motor bolt lockwasher, 1/2" stl	
1720	4S4003109	base machined ci pn25 ansi 250	

VERTICAL MULTISTAGE PUMPS PARTS

MODEL NUMBER VMS 3012 - THREE PHASE

Item No.	Part No.	Part Description	Bar Code
3160	427553-011	bracket-mtr ci 210TC 4700	
7212	4S4019116	cplg-m/c 14mmx1.375 210TC6310	
3011	971101-764	bearing 50mm 6310c3-2rs	
6545A	923100-130	ring-rtng int stl 110 mm	
6546	923104-450	ring-rtng ext sst 1.96in dia	
4610E	4S4014512	o-ring-brg bun 110.49ix3.53thk	
9902D	911825-112	hshcs 1/2-13x 1.5 stl	
9902C	4S0312103	screw, znc pltd M8*25*18	
9946C	4S0063224	lockwasher 990 D8 (cplg)	
9902A chk pt no.	4S4057609	screw-upr chc M6x14 DACROMET	
9946A	4S4006398	washer-flat L6U (upper)	
2110	4S4006163	shaft 14dia x 390.7lg 316ss	
4213	4S4001256	stationary ring holder 304sst	
4240	4S4006136	seat-sc 14mm 25br/120dC epdm 6	
4220	4S4006135	seal-mech 14mm 25br/120dC e 28	
2460C	4S4005759	ring-spcr mseal 25bar 316ss 1	
6545B	4S4001318	stop ring 1/2" imp/seal 316ss	
2520	4S4005755	thrust ring (imp/spring) 316ss	
1154 chk pt no	4S4001260	stage ctrng w/ret vanes 304ss	
2410	4S4001277	spacer-imp vms15-30 316ss	
2250	4S4001284	impeller 98 dia.,b=3.1 304ss	
1150 chk pt no	4S4001270	stage w/rtn guide vanes 304ss	
2460D	4S4005760	spacer-int ring 1.5mm 316sst	
3400	4S4006086	sleeve-shaft 14ix18ox13.8l tc	
2460A	4S4006083	spacer-shaft slv 4.3mm 316ss	
3044 chk pt no	4S4001274	stage w/ r.g.v. & brg 304ss	
1160	4S4001266	stage w/o ret guide vanes 304	
2911A	4S4005756	washer-shft end 8.2ix2.5 316ss	
9942	4S0064697	lockwasher 316ss DEC.M8 (lwr)	
9902B chk pt no	4S4019938	screw-lwr sft end M8x20 316ss	
9130 chk pt no	4S4058615	Outer jacket tube 311.74 304SS	
4610B	4S4006401	o-ring tube epdm 145.65ix3.53t	
1111 chk pt no	4S4001293	casing 316ss ANSI 1.25-250	
9923B	4S0064567	nut-tie bolt H.M12 pltd zinc	
9946B	4S0064659	washer BL D12 (under 9923B)	
6571	4S4006387	bolt-tie M12 437mm lg stl	
7450A	4S4030446	guard-cplg ft85/ft130 (180tc)	
7450B	4S4030445	clip-cplg guard fixing	
4610A	4S4006137	o-ring-plug epdm 13.1ix2.62thk	
6521	4S4005764	plug-vent/fill 3/8" npt 316sst	
4610C	4S4006400	o-ring plug epdm 9.19ix2.62thk	
4610D	4S4006137	o-ring-plug epdm 13.1ix2.62thk	
6515 chk pt no	4S4017494	plug-prime & drain 3/8" 316sst	
NOT SHOWN	927213-100	motor bolt lockwasher, 1/2" stl	
1720	4S4003109	base machined ci pn25 ansi 250	

VERTICAL MULTISTAGE PUMPS PARTS

MODEL NUMBER VMS 3014 - SINGLE PHASE

Item No.	Part No.	Part Description	Bar Code
3160	427552-011	bracket-mtr ci 180TC 4700	
7212	4S4019115	cplg-m/c 14mmx1.125 180TC6209	
3011	971101-384	bearing 45mm 6209c3-2rs	
6545A	923100-120	ring-rtng int stl 88.5 mm	
6546	923104-445	ring-retaining ext stl 1.77	
4610E	4S0057819	o-ring bun 85.32ix3.53thk	
9902D	911825-112	hshcs 1/2-13x 1.5 stl	
9902C	4S0312103	screw, znc pltd M8*25*18	
9946C	4S0063224	lockwasher 990 D8 (cplg)	
9902A chk pt no.	4S4057609	screw-upr chc M6x14 DACROMET	
9946A	4S4006398	washer-flat L6U (upper)	
2110	4S4006167	shaft 14dia x 438.7lg 316ss	
4213	4S4001256	stationary ring holder 304sst	
4240	4S4006136	seat-sc 14mm 25br/120dC epdm 6	
4220	4S4006135	seal-mech 14mm 25br/120dC e 28	
2460C	4S4005759	ring-spcr mseal 25bar 316ss 1	
6545B	4S4001318	stop ring 1/2" imp/seal 316ss	
2520	4S4005755	thrust ring (imp/spring) 316ss	
1154 chk pt no	4S4001260	stage ctrng w/ret vanes 304ss	
2410	4S4001277	spacer-imp vms15-30 316ss	
2250	4S4001284	impeller 98 dia.,b=3.1 304ss	
1150 chk pt no	4S4001270	stage w/rtn guide vanes 304ss	
2460D	4S4005760	spacer-int ring 1.5mm 316sst	
3400	4S4006086	sleeve-shaft 14ix18ox13.8l tc	
2460A	4S4006083	spacer-shaft slv 4.3mm 316ss	
3044 chk pt no	4S4001274	stage w/ r.g.v. & brg 304ss	
1160	4S4001266	stage w/o ret guide vanes 304	
2911A	4S4005756	washer-shft end 8.2ix2.5 316ss	
9942	4S0064697	lockwasher 316ss DEC.M8 (lwr)	
9902B chk pt no	4S4019938	screw-lwr sft end M8x20 316ss	
9130 chk pt no	4S4058619	Outer jacket tube 359.78 304SS	
4610B	4S4006401	o-ring tube epdm 145.65ix3.53t	
1111 chk pt no	4S4001293	casing 316ss ANSI 1.25-250	
9923B	4S0064567	nut-tie bolt H.M12 pltd zinc	
9946B	4S0064659	washer BL D12 (under 9923B)	
6571	4S4006389	bolt-tie M12 485mm lg stl	
7450A	4S4030446	guard-cplg ft85/ft130 (180tc)	
7450B	4S4030445	clip-cplg guard fixing	
4610A	4S4006137	o-ring-plug epdm 13.1ix2.62thk	
6521	4S4005764	plug-vent/fill 3/8" npt 316sst	
4610C	4S4006400	o-ring plug epdm 9.19ix2.62thk	
4610D	4S4006137	o-ring-plug epdm 13.1ix2.62thk	
6515 chk pt no	4S4017494	plug-prime & drain 3/8" 316sst	
NOT SHOWN	927213-100	motor bolt lockwasher, 1/2" stl	
1720	4S4003109	base machined ci pn25 ansi 250	

VERTICAL MULTISTAGE PUMPS PARTS

MODEL NUMBER VMS 3014 - THREE PHASE

Item No.	Part No.	Part Description	Bar Code
3160	427553-011	bracket-mtr ci 210TC 4700	
7212	4S4019116	cplg-m/c 14mmx1.375 210TC6310	
3011	971101-764	bearing 50mm 6310c3-2rs	
6545A	923100-130	ring-rtng int stl 110 mm	
6546	923104-450	ring-rtng ext sst 1.96in dia	
4610E	4S4014512	o-ring-brg bun 110.49ix3.53thk	
9902D	911825-112	hshcs 1/2-13x 1.5 stl	
9902C	4S0312103	screw, znc pltd M8*25*18	
9946C	4S0063224	lockwasher 990 D8 (cplg)	
9902A chk pt no.	4S4057609	screw-upr chc M6x14 DACROMET	
9946A	4S4006398	washer-flat L6U (upper)	
2110	4S4006167	shaft 14dia x 438.7lg 316ss	
4213	4S4001256	stationary ring holder 304sst	
4240	4S4006136	seat-sc 14mm 25br/120dC epdm 6	
4220	4S4006135	seal-mech 14mm 25br/120dC e 28	
2460C	4S4005759	ring-spcr mseal 25bar 316ss 1	
6545B	4S4001318	stop ring 1/2" imp/seal 316ss	
2520	4S4005755	thrust ring (imp/spring) 316ss	
1154 chk pt no	4S4001260	stage ctrng w/ret vanes 304ss	
2410	4S4001277	spacer-imp vms15-30 316ss	
2250	4S4001284	impeller 98 dia.,b=3.1 304ss	
1150 chk pt no	4S4001270	stage w/rtn guide vanes 304ss	
2460D	4S4005760	spacer-int ring 1.5mm 316sst	
3400	4S4006086	sleeve-shaft 14ix18ox13.8l tc	
2460A	4S4006083	spacer-shaft slv 4.3mm 316ss	
3044 chk pt no	4S4001274	stage w/ r.g.v. & brg 304ss	
1160	4S4001266	stage w/o ret guide vanes 304	
2911A	4S4005756	washer-shft end 8.2ix2.5 316ss	
9942	4S0064697	lockwasher 316ss DEC.M8 (lwr)	
9902B chk pt no	4S4019938	screw-lwr sft end M8x20 316ss	
9130 chk pt no	4S4058619	Outer jacket tube 359.78 304SS	
4610B	4S4006401	o-ring tube epdm 145.65ix3.53t	
1111 chk pt no	4S4001293	casing 316ss ANSI 1.25-250	
9923B	4S0064567	nut-tie bolt H.M12 pltd zinc	
9946B	4S0064659	washer BL D12 (under 9923B)	
6571	4S4006389	bolt-tie M12 485mm lg stl	
7450A	4S4030446	guard-cplg ft85/ft130 (180tc)	
7450B	4S4030445	clip-cplg guard fixing	
4610A	4S4006137	o-ring-plug epdm 13.1ix2.62thk	
6521	4S4005764	plug-vent/fill 3/8" npt 316sst	
4610C	4S4006400	o-ring plug epdm 9.19ix2.62thk	
4610D	4S4006137	o-ring-plug epdm 13.1ix2.62thk	
6515 chk pt no	4S4017494	plug-prime & drain 3/8" 316sst	
NOT SHOWN	927213-100	motor bolt lockwasher, 1/2" stl	
1720	4S4003109	base machined ci pn25 ansi 250	

VERTICAL MULTISTAGE PUMPS PARTS

MODEL NUMBER VMS 5002 - SINGLE PHASE

Item No.	Part No.	Part Description	Bar Code
3160	427550-011	bracket-mtr ci 56C 4700	
7212	4S4019113	cplg-m/c 14mm x.625in 56C-6206	
3011	971101-264	bearing 30mm 6206c3-2rs	
6545A	923100-100	ring-rtng int stl 65mm	
6546	923104-435	ring-rtng ext sst 1-3/16" dia	
4610E	4S4014510	o-ring-brg buna 63.1ix3.53thk	
9902D	911821-110	shcs 3/8-16nc x 1-1/4"	
9902C	4S0212113	screw-cplg/mtr zinc pltd M6x20	
9946C	4S0063223	lockwasher 990 D6 (cplg)	
9902A chk pt no.	4S4057609	screw-upr chc M6x14 DACROMET	
9946A	4S4006398	washer-flat L6U (upper)	
2110	4S4006139	shaft 14dia x 162.5lg 316ss	
4213	4S4001256	stationary ring holder 304sst	
4240	4S4006136	seat-sc 14mm 25br/120dC epdm 6	
4220	4S4006135	seal-mech 14mm 25br/120dC e 28	
2460C	4S4005759	ring-spcr mseal 25bar 316ss 1	
6545B	4S4001318	stop ring 1/2" imp/seal 316ss	
2520	4S4005755	thrust ring (imp/spring) 316ss	
1154 chk pt no	4S4001262	stage ctrng w/ ret cnl 304ss	
2410	4S4001278	spacer-imp vms50 316ss	
2250	4S4001286	impeller 100dia.,b =5.5 304ss	
1150 chk pt no	4S4001272	stage casing w/back chnl 304ss	
2460D	4S4005761	spacer-int ring 1.8mm 316sst	
3400	4S4006086	sleeve-shaft 14ix18ox13.8l tc	
2460A	4S4006084	spacer-shaft slv 7.2mm 316ss	
3044 chk pt no	4S4001276	stage w/ r.g.v. & brg 304ss	
1160	4S4001268	stage w/o ret guide vanes 304	
2911A	4S4005756	washer-shft end 8.2ix2.5 316ss	
9942	4S0064697	lockwasher 316ss DEC.M8 (lwr)	
9902B chk pt no	4S4019938	screw-lwr sft end M8x20 316ss	
9130 chk pt no	4S4058591	Outer jacket tube 101.57 304SS	
4610B	4S4006401	o-ring tube epdm 145.65ix3.53t	
1111 chk pt no	4S4016147	casing 316ss ANSI 2-250	
9923B	4S0064567	nut-tie bolt H.M12 pltd zinc	
9946B	4S0064659	washer BL D12 (under 9923B)	
6571	4S4006375	bolt-tie M12 227mm lg stl	
7450A	4S4030446	guard-cplg ft85/ft130 (180tc)	
7450B	4S4030445	clip-cplg guard fixing	
4610A	4S4006137	o-ring-plug epdm 13.1ix2.62thk	
6521	4S4005764	plug-vent/fill 3/8" npt 316sst	
4610C	4S4006400	o-ring plug epdm 9.19ix2.62thk	
4610D	4S4006137	o-ring-plug epdm 13.1ix2.62thk	
6515 chk pt no	4S4017494	plug-prime & drain 3/8" 316sst	
NOT SHOWN	927211-100	motor bolt lockwasher 3/8" stl	
1720	4S4014462	base machined DN50 ANSI250 ci	

VERTICAL MULTISTAGE PUMPS PARTS

MODEL NUMBER VMS 5002 - THREE PHASE

Item No.	Part No.	Part Description	Bar Code
3160	427551-011	bracket-mtr ci 140TC 4700	
7212	4S4019114	cplg-m/c 14mmx.875in 140TC6207	
3011	971101-364	bearing 35mm 6207c3-2rs	
6545A	923100-110	ring-rtng int stl 75 mm	
6546	923104-440	ring-rtng ext sst 1.37	
4610E	4S4014511	o-ring-brg bun 72.62ix3.53thk	
9902D	911821-110	shcs 3/8-16nc x 1-1/4"	
9902C	4S0312103	screw, znc pltd M8*25*18	
9946C	4S0063224	lockwasher 990 D8 (cplg)	
9902A chk pt no.	4S4057609	screw-upr chc M6x14 DACROMET	
9946A	4S4006398	washer-flat L6U (upper)	
2110	4S4006139	shaft 14dia x 162.5lg 316ss	
4213	4S4001256	stationary ring holder 304sst	
4240	4S4006136	seat-sc 14mm 25br/120dC epdm 6	
4220	4S4006135	seal-mech 14mm 25br/120dC e 28	
2460C	4S4005759	ring-spcr mseal 25bar 316ss 1	
6545B	4S4001318	stop ring 1/2" imp/seal 316ss	
2520	4S4005755	thrust ring (imp/spring) 316ss	
1154 chk pt no	4S4001262	stage ctrng w/ ret cnl 304ss	
2410	4S4001278	spacer-imp vms50 316ss	
2250	4S4001286	impeller 100dia.,b =5.5 304ss	
1150 chk pt no	4S4001272	stage casing w/back chnl 304ss	
2460D	4S4005761	spacer-int ring 1.8mm 316sst	
3400	4S4006086	sleeve-shaft 14ix18ox13.8l tc	
2460A	4S4006084	spacer-shaft slv 7.2mm 316ss	
3044 chk pt no	4S4001276	stage w/ r.g.v. & brg 304ss	
1160	4S4001268	stage w/o ret guide vanes 304	
2911A	4S4005756	washer-shft end 8.2ix2.5 316ss	
9942	4S0064697	lockwasher 316ss DEC.M8 (lwr)	
9902B chk pt no	4S4019938	screw-lwr sft end M8x20 316ss	
9130 chk pt no	4S4058591	Outer jacket tube 101.57 304SS	
4610B	4S4006401	o-ring tube epdm 145.65ix3.53t	
1111 chk pt no	4S4016147	casing 316ss ANSI 2-250	
9923B	4S0064567	nut-tie bolt H.M12 pltd zinc	
9946B	4S0064659	washer BL D12 (under 9923B)	
6571	4S4006375	bolt-tie M12 227mm lg stl	
7450A	4S4030446	guard-cplg ft85/ft130 (180tc)	
7450B	4S4030445	clip-cplg guard fixing	
4610A	4S4006137	o-ring-plug epdm 13.1ix2.62thk	
6521	4S4005764	plug-vent/fill 3/8" npt 316sst	
4610C	4S4006400	o-ring plug epdm 9.19ix2.62thk	
4610D	4S4006137	o-ring-plug epdm 13.1ix2.62thk	
6515 chk pt no	4S4017494	plug-prime & drain 3/8" 316sst	
NOT SHOWN	927211-100	motor bolt lockwasher 3/8" stl	
1720	4S4014462	base machined DN50 ANSI250 ci	

VERTICAL MULTISTAGE PUMPS PARTS

MODEL NUMBER VMS 5003 - SINGLE PHASE

Item No.	Part No.	Part Description	Bar Code
3160	427551-011	bracket-mtr ci 140TC 4700	
7212	4S4019114	cplg-m/c 14mmx.875in 140TC6207	
3011	971101-364	bearing 35mm 6207c3-2rs	
6545A	923100-110	ring-rtng int stl 75 mm	
6546	923104-440	ring-rtng ext sst 1.37	
4610E	4S4014511	o-ring-brg bun 72.62ix3.53thk	
9902D	911821-110	shcs 3/8-16nc x 1-1/4"	
9902C	4S0312103	screw, znc pltd M8*25*18	
9946C	4S0063224	lockwasher 990 D8 (cplg)	
9902A chk pt no.	4S4057609	screw-upr chc M6x14 DACROMET	
9946A	4S4006398	washer-flat L6U (upper)	
2110	4S4006139	shaft 14dia x 162.5lg 316ss	
4213	4S4001256	stationary ring holder 304sst	
4240	4S4006136	seat-sc 14mm 25br/120dC epdm 6	
4220	4S4006135	seal-mech 14mm 25br/120dC e 28	
2460C	4S4005759	ring-spcr mseal 25bar 316ss 1	
6545B	4S4001318	stop ring 1/2" imp/seal 316ss	
2520	4S4005755	thrust ring (imp/spring) 316ss	
1154 chk pt no	4S4001262	stage ctrng w/ ret cnl 304ss	
2410	4S4001278	spacer-imp vms50 316ss	
2250	4S4001286	impeller 100dia.,b =5.5 304ss	
1150 chk pt no	4S4001272	stage casing w/back chnl 304ss	
2460D	4S4005761	spacer-int ring 1.8mm 316sst	
3400	4S4006086	sleeve-shaft 14ix18ox13.8l tc	
2460A	4S4006084	spacer-shaft slv 7.2mm 316ss	
3044 chk pt no	4S4001276	stage w/ r.g.v. & brg 304ss	
1160	4S4001268	stage w/o ret guide vanes 304	
2911A	4S4005756	washer-shft end 8.2ix2.5 316ss	
9942	4S0064697	lockwasher 316ss DEC.M8 (lwr)	
9902B chk pt no	4S4019938	screw-lwr sft end M8x20 316ss	
9130 chk pt no	4S4058591	Outer jacket tube 101.57 304SS	
4610B	4S4006401	o-ring tube epdm 145.65ix3.53t	
1111 chk pt no	4S4016147	casing 316ss ANSI 2-250	
9923B	4S0064567	nut-tie bolt H.M12 pltd zinc	
9946B	4S0064659	washer BL D12 (under 9923B)	
6571	4S4006375	bolt-tie M12 227mm lg stl	
7450A	4S4030446	guard-cplg ft85/ft130 (180tc)	
7450B	4S4030445	clip-cplg guard fixing	
4610A	4S4006137	o-ring-plug epdm 13.1ix2.62thk	
6521	4S4005764	plug-vent/fill 3/8" npt 316sst	
4610C	4S4006400	o-ring plug epdm 9.19ix2.62thk	
4610D	4S4006137	o-ring-plug epdm 13.1ix2.62thk	
6515 chk pt no	4S4017494	plug-prime & drain 3/8" 316sst	
NOT SHOWN	927211-100	motor bolt lockwasher 3/8" stl	
1720	4S4014462	base machined DN50 ANSI250 ci	

VERTICAL MULTISTAGE PUMPS PARTS

MODEL NUMBER VMS 5003 - THREE PHASE

Item No.	Part No.	Part Description	Bar Code
3160	427552-011	bracket-mtr ci 180TC 4700	
7212	4S4019115	cplg-m/c 14mmx1.125 180TC6209	
3011	971101-384	bearing 45mm 6209c3-2rs	
6545A	923100-120	ring-rtng int stl 88.5 mm	
6546	923104-445	ring-retaining ext stl 1.77	
4610E	4S0057819	o-ring bun 85.32ix3.53thk	
9902D	911825-112	hshcs 1/2-13x 1.5 stl	
9902C	4S0312103	screw, znc pltd M8*25*18	
9946C	4S0063224	lockwasher 990 D8 (cplg)	
9902A chk pt no.	4S4057609	screw-upr chc M6x14 DACROMET	
9946A	4S4006398	washer-flat L6U (upper)	
2110	4S4006143	shaft 14dia x 192.5lg 316ss	
4213	4S4001256	stationary ring holder 304sst	
4240	4S4006136	seat-sc 14mm 25br/120dC epdm 6	
4220	4S4006135	seal-mech 14mm 25br/120dC e 28	
2460C	4S4005759	ring-spcr mseal 25bar 316ss 1	
6545B	4S4001318	stop ring 1/2" imp/seal 316ss	
2520	4S4005755	thrust ring (imp/spring) 316ss	
1154 chk pt no	4S4001262	stage ctrng w/ ret cnl 304ss	
2410	4S4001278	spacer-imp vms50 316ss	
2250	4S4001286	impeller 100dia.,b =5.5 304ss	
1150 chk pt no	4S4001272	stage casing w/back chnl 304ss	
2460D	4S4005761	spacer-int ring 1.8mm 316sst	
3400	4S4006086	sleeve-shaft 14ix18ox13.8l tc	
2460A	4S4006084	spacer-shaft slv 7.2mm 316ss	
3044 chk pt no	4S4001276	stage w/ r.g.v. & brg 304ss	
1160	4S4001268	stage w/o ret guide vanes 304	
2911A	4S4005756	washer-shft end 8.2ix2.5 316ss	
9942	4S0064697	lockwasher 316ss DEC.M8 (lwr)	
9902B chk pt no	4S4019938	screw-lwr sft end M8x20 316ss	
9130 chk pt no	4S4058595	Outer jacket tube 131.59 304SS	
4610B	4S4006401	o-ring tube epdm 145.65ix3.53t	
1111 chk pt no	4S4016147	casing 316ss ANSI 2-250	
9923B	4S0064567	nut-tie bolt H.M12 pltd zinc	
9946B	4S0064659	washer BL D12 (under 9923B)	
6571	4S4006377	bolt-tie M12 257mm lg stl	
7450A	4S4030446	guard-cplg ft85/ft130 (180tc)	
7450B	4S4030445	clip-cplg guard fixing	
4610A	4S4006137	o-ring-plug epdm 13.1ix2.62thk	
6521	4S4005764	plug-vent/fill 3/8" npt 316sst	
4610C	4S4006400	o-ring plug epdm 9.19ix2.62thk	
4610D	4S4006137	o-ring-plug epdm 13.1ix2.62thk	
6515 chk pt no	4S4017494	plug-prime & drain 3/8" 316sst	
NOT SHOWN	927213-100	motor bolt lockwasher, 1/2" stl	
1720	4S4014462	base machined DN50 ANSI250 ci	

VERTICAL MULTISTAGE PUMPS PARTS

MODEL NUMBER VMS 5004 - SINGLE & THREE PHASE

Item No.	Part No.	Part Description	Bar Code
3160	427552-011	bracket-mtr ci 180TC 4700	
7212	4S4019115	cplg-m/c 14mmx1.125 180TC6209	
3011	971101-384	bearing 45mm 6209c3-2rs	
6545A	923100-120	ring-rtng int stl 88.5 mm	
6546	923104-445	ring-retaining ext stl 1.77	
4610E	4S0057819	o-ring bun 85.32ix3.53thk	
9902D	911825-112	hshcs 1/2-13x 1.5 stl	
9902C	4S0312103	screw, znc pltd M8*25*18	
9946C	4S0063224	lockwasher 990 D8 (cplg)	
9902A chk pt no.	4S4057609	screw-upr chc M6x14 DACROMET	
9946A	4S4006398	washer-flat L6U (upper)	
2110	4S4006147	shaft 14dia x 222.5lg 316ss	
4213	4S4001256	stationary ring holder 304sst	
4240	4S4006136	seat-sc 14mm 25br/120dC epdm 6	
4220	4S4006135	seal-mech 14mm 25br/120dC e 28	
2460C	4S4005759	ring-spcr mseal 25bar 316ss 1	
6545B	4S4001318	stop ring 1/2" imp/seal 316ss	
2520	4S4005755	thrust ring (imp/spring) 316ss	
1154 chk pt no	4S4001262	stage ctrng w/ ret cnl 304ss	
2410	4S4001278	spacer-imp vms50 316ss	
2250	4S4001286	impeller 100dia.,b =5.5 304ss	
1150 chk pt no	4S4001272	stage casing w/back chnl 304ss	
2460D	4S4005761	spacer-int ring 1.8mm 316sst	
3400	4S4006086	sleeve-shaft 14ix18ox13.8l tc	
2460A	4S4006084	spacer-shaft slv 7.2mm 316ss	
3044 chk pt no	4S4001276	stage w/ r.g.v. & brg 304ss	
1160	4S4001268	stage w/o ret guide vanes 304	
2911A	4S4005756	washer-shft end 8.2ix2.5 316ss	
9942	4S0064697	lockwasher 316ss DEC.M8 (lwr)	
9902B chk pt no	4S4019938	screw-lwr sft end M8x20 316ss	
9130 chk pt no	4S4058599	Outer jacket tube 161.62 304SS	
4610B	4S4006401	o-ring tube epdm 145.65ix3.53t	
1111 chk pt no	4S4016147	casing 316ss ANSI 2-250	
9923B	4S0064567	nut-tie bolt H.M12 pltd zinc	
9946B	4S0064659	washer BL D12 (under 9923B)	
6571	4S4006379	bolt-tie M12 287mm lg stl	
7450A	4S4030446	guard-cplg ft85/ft130 (180tc)	
7450B	4S4030445	clip-cplg guard fixing	
4610A	4S4006137	o-ring-plug epdm 13.1ix2.62thk	
6521	4S4005764	plug-vent/fill 3/8" npt 316sst	
4610C	4S4006400	o-ring plug epdm 9.19ix2.62thk	
4610D	4S4006137	o-ring-plug epdm 13.1ix2.62thk	
6515 chk pt no	4S4017494	plug-prime & drain 3/8" 316sst	
NOT SHOWN	927213-100	motor bolt lockwasher, 1/2" stl	
1720	4S4014462	base machined DN50 ANSI250 ci	

VERTICAL MULTISTAGE PUMPS PARTS

MODEL NUMBER VMS 5005 - SINGLE & THREE PHASE

Item No.	Part No.	Part Description	Bar Code
3160	427552-011	bracket-mtr ci 180TC 4700	
7212	4S4019115	cplg-m/c 14mmx1.125 180TC6209	
3011	971101-384	bearing 45mm 6209c3-2rs	
6545A	923100-120	ring-rtng int stl 88.5 mm	
6546	923104-445	ring-retaining ext stl 1.77	
4610E	4S0057819	o-ring bun 85.32ix3.53thk	
9902D	911825-112	hshcs 1/2-13x 1.5 stl	
9902C	4S0312103	screw, znc pltd M8*25*18	
9946C	4S0063224	lockwasher 990 D8 (cplg)	
9902A chk pt no.	4S4057609	screw-upr chc M6x14 DACROMET	
9946A	4S4006398	washer-flat L6U (upper)	
2110	4S4006151	shaft 14dia x 252.5lg 316ss	
4213	4S4001256	stationary ring holder 304sst	
4240	4S4006136	seat-sc 14mm 25br/120dC epdm 6	
4220	4S4006135	seal-mech 14mm 25br/120dC e 28	
2460C	4S4005759	ring-spcr mseal 25bar 316ss 1	
6545B	4S4001318	stop ring 1/2" imp/seal 316ss	
2520	4S4005755	thrust ring (imp/spring) 316ss	
1154 chk pt no	4S4001262	stage ctrng w/ ret cnl 304ss	
2410	4S4001278	spacer-imp vms50 316ss	
2250	4S4001286	impeller 100dia.,b =5.5 304ss	
1150 chk pt no	4S4001272	stage casing w/back chnl 304ss	
2460D	4S4005761	spacer-int ring 1.8mm 316sst	
3400	4S4006086	sleeve-shaft 14ix18ox13.8l tc	
2460A	4S4006084	spacer-shaft slv 7.2mm 316ss	
3044 chk pt no	4S4001276	stage w/ r.g.v. & brg 304ss	
1160	4S4001268	stage w/o ret guide vanes 304	
2911A	4S4005756	washer-shft end 8.2ix2.5 316ss	
9942	4S0064697	lockwasher 316ss DEC.M8 (lwr)	
9902B chk pt no	4S4019938	screw-lwr sft end M8x20 316ss	
9130 chk pt no	4S4058603	Outer jacket tube 191.64 304SS	
4610B	4S4006401	o-ring tube epdm 145.65ix3.53t	
1111 chk pt no	4S4016147	casing 316ss ANSI 2-250	
9923B	4S0064567	nut-tie bolt H.M12 pltd zinc	
9946B	4S0064659	washer BL D12 (under 9923B)	
6571	4S4006381	bolt-tie M12 317mm lg stl	
7450A	4S4030446	guard-cplg ft85/ft130 (180tc)	
7450B	4S4030445	clip-cplg guard fixing	
4610A	4S4006137	o-ring-plug epdm 13.1ix2.62thk	
6521	4S4005764	plug-vent/fill 3/8" npt 316sst	
4610C	4S4006400	o-ring plug epdm 9.19ix2.62thk	
4610D	4S4006137	o-ring-plug epdm 13.1ix2.62thk	
6515 chk pt no	4S4017494	plug-prime & drain 3/8" 316sst	
NOT SHOWN	927213-100	motor bolt lockwasher, 1/2" stl	
1720	4S4014462	base machined DN50 ANSI250 ci	

VERTICAL MULTISTAGE PUMPS PARTS

MODEL NUMBER VMS 5006 - SINGLE & THREE PHASE

Item No.	Part No.	Part Description	Bar Code
3160	427552-011	bracket-mtr ci 180TC 4700	
7212	4S4019115	cplg-m/c 14mmx1.125 180TC6209	
3011	971101-384	bearing 45mm 6209c3-2rs	
6545A	923100-120	ring-rtng int stl 88.5 mm	
6546	923104-445	ring-retaining ext stl 1.77	
4610E	4S0057819	o-ring bun 85.32ix3.53thk	
9902D	911825-112	hshcs 1/2-13x 1.5 stl	
9902C	4S0312103	screw, znc pltd M8*25*18	
9946C	4S0063224	lockwasher 990 D8 (cplg)	
9902A chk pt no.	4S4057609	screw-upr chc M6x14 DACROMET	
9946A	4S4006398	washer-flat L6U (upper)	
2110	4S4006155	shaft 14dia x 282.6lg 316ss	
4213	4S4001256	stationary ring holder 304sst	
4240	4S4006136	seat-sc 14mm 25br/120dC epdm 6	
4220	4S4006135	seal-mech 14mm 25br/120dC e 28	
2460C	4S4005759	ring-spcr mseal 25bar 316ss 1	
6545B	4S4001318	stop ring 1/2" imp/seal 316ss	
2520	4S4005755	thrust ring (imp/spring) 316ss	
1154 chk pt no	4S4001262	stage ctrng w/ ret cnl 304ss	
2410	4S4001278	spacer-imp vms50 316ss	
2250	4S4001286	impeller 100dia.,b =5.5 304ss	
1150 chk pt no	4S4001272	stage casing w/back chnl 304ss	
2460D	4S4005761	spacer-int ring 1.8mm 316sst	
3400	4S4006086	sleeve-shaft 14ix18ox13.8l tc	
2460A	4S4006084	spacer-shaft slv 7.2mm 316ss	
3044 chk pt no	4S4001276	stage w/ r.g.v. & brg 304ss	
1160	4S4001268	stage w/o ret guide vanes 304	
2911A	4S4005756	washer-shft end 8.2ix2.5 316ss	
9942	4S0064697	lockwasher 316ss DEC.M8 (lwr)	
9902B chk pt no	4S4019938	screw-lwr sft end M8x20 316ss	
9130 chk pt no	4S4058607	Outer jacket tube 221.67 304SS	
4610B	4S4006401	o-ring tube epdm 145.65ix3.53t	
1111 chk pt no	4S4016147	casing 316ss ANSI 2-250	
9923B	4S0064567	nut-tie bolt H.M12 pltd zinc	
9946B	4S0064659	washer BL D12 (under 9923B)	
6571	4S4006383	bolt-tie M12 347mm lg stl	
7450A	4S4030446	guard-cplg ft85/ft130 (180tc)	
7450B	4S4030445	clip-cplg guard fixing	
4610A	4S4006137	o-ring-plug epdm 13.1ix2.62thk	
6521	4S4005764	plug-vent/fill 3/8" npt 316sst	
4610C	4S4006400	o-ring plug epdm 9.19ix2.62thk	
4610D	4S4006137	o-ring-plug epdm 13.1ix2.62thk	
6515 chk pt no	4S4017494	plug-prime & drain 3/8" 316sst	
NOT SHOWN	927213-100	motor bolt lockwasher, 1/2" stl	
1720	4S4014462	base machined DN50 ANSI250 ci	

VERTICAL MULTISTAGE PUMPS PARTS

MODEL NUMBER VMS 5007 - SINGLE PHASE

Item No.	Part No.	Part Description	Bar Code
3160	427552-011	bracket-mtr ci 180TC 4700	
7212	4S4019115	cplg-m/c 14mmx1.125 180TC6209	
3011	971101-384	bearing 45mm 6209c3-2rs	
6545A	923100-120	ring-rtng int stl 88.5 mm	
6546	923104-445	ring-retaining ext stl 1.77	
4610E	4S0057819	o-ring bun 85.32ix3.53thk	
9902D	911825-112	hshcs 1/2-13x 1.5 stl	
9902C	4S0312103	screw, znc pltd M8*25*18	
9946C	4S0063224	lockwasher 990 D8 (cplg)	
9902A chk pt no.	4S4057609	screw-upr chc M6x14 DACROMET	
9946A	4S4006398	washer-flat L6U (upper)	
2110	4S4006159	shaft 14dia x 312.5lg 316ss	
4213	4S4001256	stationary ring holder 304sst	
4240	4S4006136	seat-sc 14mm 25br/120dC epdm 6	
4220	4S4006135	seal-mech 14mm 25br/120dC e 28	
2460C	4S4005759	ring-spcr mseal 25bar 316ss 1	
6545B	4S4001318	stop ring 1/2" imp/seal 316ss	
2520	4S4005755	thrust ring (imp/spring) 316ss	
1154 chk pt no	4S4001262	stage ctrng w/ ret cnl 304ss	
2410	4S4001278	spacer-imp vms50 316ss	
2250	4S4001286	impeller 100dia.,b =5.5 304ss	
1150 chk pt no	4S4001272	stage casing w/back chnl 304ss	
2460D	4S4005761	spacer-int ring 1.8mm 316sst	
3400	4S4006086	sleeve-shaft 14ix18ox13.8l tc	
2460A	4S4006084	spacer-shaft slv 7.2mm 316ss	
3044 chk pt no	4S4001276	stage w/ r.g.v. & brg 304ss	
1160	4S4001268	stage w/o ret guide vanes 304	
2911A	4S4005756	washer-shft end 8.2ix2.5 316ss	
9942	4S0064697	lockwasher 316ss DEC.M8 (lwr)	
9902B chk pt no	4S4019938	screw-lwr sft end M8x20 316ss	
9130 chk pt no	4S4058609	Outer jacket tube 251.69 304SS	
4610B	4S4006401	o-ring tube epdm 145.65ix3.53t	
1111 chk pt no	4S4016147	casing 316ss ANSI 2-250	
9923B	4S0064567	nut-tie bolt H.M12 pltd zinc	
9946B	4S0064659	washer BL D12 (under 9923B)	
6571	4S4006384	bolt-tie M12 377mm lg stl	
7450A	4S4030446	guard-cplg ft85/ft130 (180tc)	
7450B	4S4030445	clip-cplg guard fixing	
4610A	4S4006137	o-ring-plug epdm 13.1ix2.62thk	
6521	4S4005764	plug-vent/fill 3/8" npt 316sst	
4610C	4S4006400	o-ring plug epdm 9.19ix2.62thk	
4610D	4S4006137	o-ring-plug epdm 13.1ix2.62thk	
6515 chk pt no	4S4017494	plug-prime & drain 3/8" 316sst	
NOT SHOWN	927213-100	motor bolt lockwasher, 1/2" stl	
1720	4S4014462	base machined DN50 ANSI250 ci	

VERTICAL MULTISTAGE PUMPS PARTS

MODEL NUMBER VMS 5007 - THREE PHASE

Item No.	Part No.	Part Description	Bar Code
3160	427553-011	bracket-mtr ci 210TC 4700	
7212	4S4019116	cplg-m/c 14mmx1.375 210TC6310	
3011	971101-764	bearing 50mm 6310c3-2rs	
6545A	923100-130	ring-rtng int stl 110 mm	
6546	923104-450	ring-rtng ext sst 1.96in dia	
4610E	4S4014512	o-ring-brg bun 110.49ix3.53thk	
9902D	911825-112	hshcs 1/2-13x 1.5 stl	
9902C	4S0312103	screw, znc pltd M8*25*18	
9946C	4S0063224	lockwasher 990 D8 (cplg)	
9902A chk pt no.	4S4057609	screw-upr chc M6x14 DACROMET	
9946A	4S4006398	washer-flat L6U (upper)	
2110	4S4006159	shaft 14dia x 312.5lg 316ss	
4213	4S4001256	stationary ring holder 304sst	
4240	4S4006136	seat-sc 14mm 25br/120dC epdm 6	
4220	4S4006135	seal-mech 14mm 25br/120dC e 28	
2460C	4S4005759	ring-spcr mseal 25bar 316ss 1	
6545B	4S4001318	stop ring 1/2" imp/seal 316ss	
2520	4S4005755	thrust ring (imp/spring) 316ss	
1154 chk pt no	4S4001262	stage ctrng w/ ret cnl 304ss	
2410	4S4001278	spacer-imp vms50 316ss	
2250	4S4001286	impeller 100dia.,b =5.5 304ss	
1150 chk pt no	4S4001272	stage casing w/back chnl 304ss	
2460D	4S4005761	spacer-int ring 1.8mm 316sst	
3400	4S4006086	sleeve-shaft 14ix18ox13.8l tc	
2460A	4S4006084	spacer-shaft slv 7.2mm 316ss	
3044 chk pt no	4S4001276	stage w/ r.g.v. & brg 304ss	
1160	4S4001268	stage w/o ret guide vanes 304	
2911A	4S4005756	washer-shft end 8.2ix2.5 316ss	
9942	4S0064697	lockwasher 316ss DEC.M8 (lwr)	
9902B chk pt no	4S4019938	screw-lwr sft end M8x20 316ss	
9130 chk pt no	4S4058609	Outer jacket tube 251.69 304SS	
4610B	4S4006401	o-ring tube epdm 145.65ix3.53t	
1111 chk pt no	4S4016147	casing 316ss ANSI 2-250	
9923B	4S0064567	nut-tie bolt H.M12 pltd zinc	
9946B	4S0064659	washer BL D12 (under 9923B)	
6571	4S4006384	bolt-tie M12 377mm lg stl	
7450A	4S4030446	guard-cplg ft85/ft130 (180tc)	
7450B	4S4030445	clip-cplg guard fixing	
4610A	4S4006137	o-ring-plug epdm 13.1ix2.62thk	
6521	4S4005764	plug-vent/fill 3/8" npt 316sst	
4610C	4S4006400	o-ring plug epdm 9.19ix2.62thk	
4610D	4S4006137	o-ring-plug epdm 13.1ix2.62thk	
6515 chk pt no	4S4017494	plug-prime & drain 3/8" 316sst	
NOT SHOWN		motor bolt lockwasher, 1/2" stl	
1720		base machined DN50 ANSI250 ci	

VERTICAL MULTISTAGE PUMPS PARTS

MODEL NUMBER VMS 5008 - SINGLE PHASE

Item No.	Part No.	Part Description	Bar Code
3160	427552-011	bracket-mtr ci 180TC 4700	
7212	4S4019115	cplg-m/c 14mmx1.125 180TC6209	
3011	971101-384	bearing 45mm 6209c3-2rs	
6545A	923100-120	ring-rtng int stl 88.5 mm	
6546	923104-445	ring-retaining ext stl 1.77	
4610E	4S0057819	o-ring bun 85.32ix3.53thk	
9902D	911825-112	hshcs 1/2-13x 1.5 stl	
9902C	4S0312103	screw, znc pltd M8*25*18	
9946C	4S0063224	lockwasher 990 D8 (cplg)	
9902A chk pt no.	4S4057609	screw-upr chc M6x14 DACROMET	
9946A	4S4006398	washer-flat L6U (upper)	
2110	4S4006161	shaft 14dia x 342.6lg 316ss	
4213	4S4001256	stationary ring holder 304sst	
4240	4S4006136	seat-sc 14mm 25br/120dC epdm 6	
4220	4S4006135	seal-mech 14mm 25br/120dC e 28	
2460C	4S4005759	ring-spcr mseal 25bar 316ss 1	
6545B	4S4001318	stop ring 1/2" imp/seal 316ss	
2520	4S4005755	thrust ring (imp/spring) 316ss	
1154 chk pt no	4S4001262	stage ctrng w/ ret cnl 304ss	
2410	4S4001278	spacer-imp vms50 316ss	
2250	4S4001286	impeller 100dia.,b =5.5 304ss	
1150 chk pt no	4S4001272	stage casing w/back chnl 304ss	
2460D	4S4005761	spacer-int ring 1.8mm 316sst	
3400	4S4006086	sleeve-shaft 14ix18ox13.8l tc	
2460A	4S4006084	spacer-shaft slv 7.2mm 316ss	
3044 chk pt no	4S4001276	stage w/ r.g.v. & brg 304ss	
1160	4S4001268	stage w/o ret guide vanes 304	
2911A	4S4005756	washer-shft end 8.2ix2.5 316ss	
9942	4S0064697	lockwasher 316ss DEC.M8 (lwr)	
9902B chk pt no	4S4019938	screw-lwr sft end M8x20 316ss	
9130 chk pt no	4S4058613	Outer jacket tube 281.72 304SS	
4610B	4S4006401	o-ring tube epdm 145.65ix3.53t	
1111 chk pt no	4S4016147	casing 316ss ANSI 2-250	
9923B	4S0064567	nut-tie bolt H.M12 pltd zinc	
9946B	4S0064659	washer BL D12 (under 9923B)	
6571	4S4006386	bolt-tie M12 407mm lg stl	
7450A	4S4030446	guard-cplg ft85/ft130 (180tc)	
7450B	4S4030445	clip-cplg guard fixing	
4610A	4S4006137	o-ring-plug epdm 13.1ix2.62thk	
6521	4S4005764	plug-vent/fill 3/8" npt 316sst	
4610C	4S4006400	o-ring plug epdm 9.19ix2.62thk	
4610D	4S4006137	o-ring-plug epdm 13.1ix2.62thk	
6515 chk pt no	4S4017494	plug-prime & drain 3/8" 316sst	
NOT SHOWN	927213-100	motor bolt lockwasher, 1/2" stl	
1720	4S4014462	base machined DN50 ANSI250 ci	

VERTICAL MULTISTAGE PUMPS PARTS

MODEL NUMBER VMS 5008 - THREE PHASE

Item No.	Part No.	Part Description	Bar Code
3160	427553-011	bracket-mtr ci 210TC 4700	
7212	4S4019116	cplg-m/c 14mmx1.375 210TC6310	
3011	971101-764	bearing 50mm 6310c3-2rs	
6545A	923100-130	ring-rtng int stl 110 mm	
6546	923104-450	ring-rtng ext sst 1.96in dia	
4610E	4S4014512	o-ring-brg bun 110.49ix3.53thk	
9902D	911825-112	hshcs 1/2-13x 1.5 stl	
9902C	4S0312103	screw, znc pltd M8*25*18	
9946C	4S0063224	lockwasher 990 D8 (cplg)	
9902A chk pt no.	4S4057609	screw-upr chc M6x14 DACROMET	
9946A	4S4006398	washer-flat L6U (upper)	
2110	4S4006161	shaft 14dia x 342.6lg 316ss	
4213	4S4001256	stationary ring holder 304sst	
4240	4S4006136	seat-sc 14mm 25br/120dC epdm 6	
4220	4S4006135	seal-mech 14mm 25br/120dC e 28	
2460C	4S4005759	ring-spcr mseal 25bar 316ss 1	
6545B	4S4001318	stop ring 1/2" imp/seal 316ss	
2520	4S4005755	thrust ring (imp/spring) 316ss	
1154 chk pt no	4S4001262	stage ctrng w/ ret cnl 304ss	
2410	4S4001278	spacer-imp vms50 316ss	
2250	4S4001286	impeller 100dia.,b =5.5 304ss	
1150 chk pt no	4S4001272	stage casing w/back chnl 304ss	
2460D	4S4005761	spacer-int ring 1.8mm 316sst	
3400	4S4006086	sleeve-shaft 14ix18ox13.8l tc	
2460A	4S4006084	spacer-shaft slv 7.2mm 316ss	
3044 chk pt no	4S4001276	stage w/ r.g.v. & brg 304ss	
1160	4S4001268	stage w/o ret guide vanes 304	
2911A	4S4005756	washer-shft end 8.2ix2.5 316ss	
9942	4S0064697	lockwasher 316ss DEC.M8 (lwr)	
9902B chk pt no	4S4019938	screw-lwr sft end M8x20 316ss	
9130 chk pt no	4S4058613	Outer jacket tube 281.72 304SS	
4610B	4S4006401	o-ring tube epdm 145.65ix3.53t	
1111 chk pt no	4S4016147	casing 316ss ANSI 2-250	
9923B	4S0064567	nut-tie bolt H.M12 pltd zinc	
9946B	4S0064659	washer BL D12 (under 9923B)	
6571	4S4006386	bolt-tie M12 407mm lg stl	
7450A	4S4030446	guard-cplg ft85/ft130 (180tc)	
7450B	4S4030445	clip-cplg guard fixing	
4610A	4S4006137	o-ring-plug epdm 13.1ix2.62thk	
6521	4S4005764	plug-vent/fill 3/8" npt 316sst	
4610C	4S4006400	o-ring plug epdm 9.19ix2.62thk	
4610D	4S4006137	o-ring-plug epdm 13.1ix2.62thk	
6515 chk pt no	4S4017494	plug-prime & drain 3/8" 316sst	
NOT SHOWN	927213-100	motor bolt lockwasher, 1/2" stl	
1720	4S4014462	base machined DN50 ANSI250 ci	

VERTICAL MULTISTAGE PUMPS PARTS

MODEL NUMBER VMS 5010 - SINGLE & THREE PHASE

Item No.	Part No.	Part Description	Bar Code
3160	427553-011	bracket-mtr ci 210TC 4700	
7212	4S4019116	cplg-m/c 14mmx1.375 210TC6310	
3011	971101-764	bearing 50mm 6310c3-2rs	
6545A	923100-130	ring-rtng int stl 110 mm	
6546	923104-450	ring-rtng ext sst 1.96in dia	
4610E	4S4014512	o-ring-brg bun 110.49ix3.53thk	
9902D	911825-112	hshcs 1/2-13x 1.5 stl	
9902C	4S0312103	screw, znc pltd M8*25*18	
9946C	4S0063224	lockwasher 990 D8 (cplg)	
9902A chk pt no.	4S4057609	screw-upr chc M6x14 DACROMET	
9946A	4S4006398	washer-flat L6U (upper)	
2110	4S4006165	shaft 14dia x 402.6lg 316ss	
4213	4S4001256	stationary ring holder 304sst	
4240	4S4006136	seat-sc 14mm 25br/120dC epdm 6	
4220	4S4006135	seal-mech 14mm 25br/120dC e 28	
2460C	4S4005759	ring-spcr mseal 25bar 316ss 1	
6545B	4S4001318	stop ring 1/2" imp/seal 316ss	
2520	4S4005755	thrust ring (imp/spring) 316ss	
1154 chk pt no	4S4001262	stage ctrng w/ ret cnl 304ss	
2410	4S4001278	spacer-imp vms50 316ss	
2250	4S4001286	impeller 100dia.,b =5.5 304ss	
1150 chk pt no	4S4001272	stage casing w/back chnl 304ss	
2460D	4S4005761	spacer-int ring 1.8mm 316sst	
3400	4S4006086	sleeve-shaft 14ix18ox13.8l tc	
2460A	4S4006084	spacer-shaft slv 7.2mm 316ss	
3044 chk pt no	4S4001276	stage w/ r.g.v. & brg 304ss	
1160	4S4001268	stage w/o ret guide vanes 304	
2911A	4S4005756	washer-shft end 8.2ix2.5 316ss	
9942	4S0064697	lockwasher 316ss DEC.M8 (lwr)	
9902B chk pt no	4S4019938	screw-lwr sft end M8x20 316ss	
9130 chk pt no	4S4058617	Outer jacket tube 341.77 304SS	
4610B	4S4006401	o-ring tube epdm 145.65ix3.53t	
1111 chk pt no	4S4016147	casing 316ss ANSI 2-250	
9923B	4S0064567	nut-tie bolt H.M12 pltd zinc	
9946B	4S0064659	washer BL D12 (under 9923B)	
6571	4S4006388	bolt-tie M12 467mm lg stl	
7450A	4S4030446	guard-cplg ft85/ft130 (180tc)	
7450B	4S4030445	clip-cplg guard fixing	
4610A	4S4006137	o-ring-plug epdm 13.1ix2.62thk	
6521	4S4005764	plug-vent/fill 3/8" npt 316sst	
4610C	4S4006400	o-ring plug epdm 9.19ix2.62thk	
4610D	4S4006137	o-ring-plug epdm 13.1ix2.62thk	
6515 chk pt no	4S4017494	plug-prime & drain 3/8" 316sst	
NOT SHOWN	927213-100	motor bolt lockwasher, 1/2" stl	
1720	4S4014462	base machined DN50 ANSI250 ci	

VERTICAL MULTISTAGE PUMPS PARTS

MODEL NUMBER VMS 5011 - THREE PHASE

Item No.	Part No.	Part Description	Bar Code
3160	427553-011	bracket-mtr ci 210TC 4700	
7212	4S4019116	cplg-m/c 14mmx1.375 210TC6310	
3011	971101-764	bearing 50mm 6310c3-2rs	
6545A	923100-130	ring-rtng int stl 110 mm	
6546	923104-450	ring-rtng ext sst 1.96in dia	
4610E	4S4014512	o-ring-brg bun 110.49ix3.53thk	
9902D	911825-112	hshcs 1/2-13x 1.5 stl	
9902C	4S0312103	screw, znc pltd M8*25*18	
9946C	4S0063224	lockwasher 990 D8 (cplg)	
9902A chk pt no.	4S4057609	screw-upr chc M6x14 DACROMET	
9946A	4S4006398	washer-flat L6U (upper)	
2110	4S4006169	shaft 14dia x 462.7lg 316ss	
4213	4S4001256	stationary ring holder 304sst	
4240	4S4006136	seat-sc 14mm 25br/120dC epdm 6	
4220	4S4006135	seal-mech 14mm 25br/120dC e 28	
2460C	4S4005759	ring-spcr mseal 25bar 316ss 1	
6545B	4S4001318	stop ring 1/2" imp/seal 316ss	
2520	4S4005755	thrust ring (imp/spring) 316ss	
1154 chk pt no	4S4001262	stage ctrng w/ ret cnl 304ss	
2410	4S4001278	spacer-imp vms50 316ss	
2250	4S4001286	impeller 100dia.,b =5.5 304ss	
1150 chk pt no	4S4001272	stage casing w/back chnl 304ss	
2460D	4S4005761	spacer-int ring 1.8mm 316sst	
3400	4S4006086	sleeve-shaft 14ix18ox13.8l tc	
2460A	4S4006084	spacer-shaft slv 7.2mm 316ss	
3044 chk pt no	4S4001276	stage w/ r.g.v. & brg 304ss	
1160	4S4001268	stage w/o ret guide vanes 304	
2911A	4S4005756	washer-shft end 8.2ix2.5 316ss	
9942	4S0064697	lockwasher 316ss DEC.M8 (lwr)	
9902B chk pt no	4S4019938	screw-lwr sft end M8x20 316ss	
9130 chk pt no	4S4058621	Outer jacket tube 401.82 304SS	
4610B	4S4006401	o-ring tube epdm 145.65ix3.53t	
1111 chk pt no	4S4016147	casing 316ss ANSI 2-250	
9923B	4S0064567	nut-tie bolt H.M12 pltd zinc	
9946B	4S0064659	washer BL D12 (under 9923B)	
6571	4S4006390	bolt-tie M12 527mm lg stl	
7450A	4S4030446	guard-cplg ft85/ft130 (180tc)	
7450B	4S4030445	clip-cplg guard fixing	
4610A	4S4006137	o-ring-plug epdm 13.1ix2.62thk	
6521	4S4005764	plug-vent/fill 3/8" npt 316sst	
4610C	4S4006400	o-ring plug epdm 9.19ix2.62thk	
4610D	4S4006137	o-ring-plug epdm 13.1ix2.62thk	
6515 chk pt no	4S4017494	plug-prime & drain 3/8" 316sst	
NOT SHOWN	927213-100	motor bolt lockwasher, 1/2" stl	
1720	4S4014462	base machined DN50 ANSI250 ci	

VERTICAL MULTISTAGE PUMPS PARTS

MODEL NUMBER VMS 10002 - SINGLE & THREE PHASE

Item No.	Part No.	Part Description	Bar Code
3160	427554-011	bracket-mtr ci 180TC 4700	
7212	4S4045258	cplg-m/c 22mmx1.125 180TC6209	
3011	971101-384	bearing 45mm 6209c3-2rs	
6545A	4S4007273	ring-rtng int stl 85mm 6209	
6546	4S4007272	ring-rtng ext stl 45mm 6209	
4610E	4S0057819	o-ring bun 85.32ix3.53thk	
9902D	911825-112	hshcs 1/2-13x 1.5 stl	
9902C	4S0312104	screw-cplg/mtr zinc pltd M8x30	
9946C	4S0063224	lockwasher 990 D8 (cplg)	
9902A chk pt no.	4S0312105	screw-uppr sft end M8x16 pltdz	
9946A	4S4030444	washer-flat 8.25i x1.5mm thk	
2110	4S4030397	shaft 22dia x 216lg 316ss	
4213	4S4032361	stationary ring holder 304ss	
4240	4S0083295	seat-sc 22mm 25br/120dC e 6	
4220	4S0083294	seal-mech 22mm 25br/120dC e 31	
2460C	4S4033289	ring-spcr mseal 25br 316ss 0.5	
6545B	4S4032377	stop ring 1/2" imp/seal 316ss	
2520	4S4032378	thrust ring (imp/spring) 316ss	
1154 chk pt no	4S4032351	stage ctrng w/ret vanes 304ss	
2410	4S4032359	spacer-imp vms100 316ss	
2250	4S4032355	impeller 121 dia.,b=5.6 304ss	
1150 chk pt no	4S4032341	stage w/rtn guide vanes 304ss	
2460D	4S4032380	spacer-int ring 1.5mm 316sst	
3400	4S4030500	sleeve-shaft 22ix26ox21 lg tc	
2460A	4S4033286	spacer-shaft slv 3.3mm 316ss	
2460A	4S4033287	spacer-shaft slv 8.7mm 316ss	
3044 chk pt no	4S4032347	stage w/ r.g.v. & brg 304sst	
1160	4S4032337	stage w/o ret guide vanes 304	
2911A	4S4032374	washer-shft end 10.25ix4.5 316	
9942	4S0061783	lockwasher 316ss DEC.M10 (lwr)	
9902B chk pt no	4S0433401	screw-shaft end lwr M10x20 316	
9130 chk pt no	4S4058635	Outer jacket tube 124.44 304SS	
4610B	4S4032286	o-ring tube epdm 185ix4t 304	
1111 chk pt no	427565-011	casing ci VMS100 250# 4700	
9923B	4S0056057	nut-tie bolt H.M16 pltd zinc	
9946B	4S0061701	lockwasher D16 (under 9923B)	
6571	4S4030451	bolt-tie M16 163.5mm lg stl	
7450A	4S4030446	guard-cplg ft85/ft130 (180tc)	
7450B	4S4030445	clip-cplg guard fixing	
4610A	4S4032291	o-ring-plug epdm 17i x3thk 304	
6521	4S4032373	plug-filling G1/2"npt 316sst	
4610C	4S4042329	o-ring plug epdm 7.53ix3.53t	
4610D	4S4032293	o-ring-plug epdm 10ix3thk 304	
6515 chk pt no	4S4032376	plug drain/priming 1/2"npt 316	
NOT SHOWN	933105-101	pipe plug, .25" hh solid galv	

VERTICAL MULTISTAGE PUMPS PARTS

MODEL NUMBER VMS 10003 - SINGLE PHASE

Item No.	Part No.	Part Description	Bar Code
3160	427554-011	bracket-mtr ci 180TC 4700	
7212	4S4045258	cplg-m/c 22mmx1.125 180TC6209	
3011	971101-384	bearing 45mm 6209c3-2rs	
6545A	4S4007273	ring-rtng int stl 85mm 6209	
6546	4S4007272	ring-rtng ext stl 45mm 6209	
4610E	4S0057819	o-ring bun 85.32ix3.53thk	
9902D	911825-112	hshcs 1/2-13x 1.5 stl	
9902C	4S0312104	screw-cplg/mtr zinc pltd M8x30	
9946C	4S0063224	lockwasher 990 D8 (cplg)	
9902A chk pt no.	4S0312105	screw-uppr sft end M8x16 pltdz	
9946A	4S4030444	washer-flat 8.25i x1.5mm thk	
2110	4S4030397	shaft 22dia x 216lg 316ss	
4213	4S4032361	stationary ring holder 304ss	
4240	4S0083295	seat-sc 22mm 25br/120dC e 6	
4220	4S0083294	seal-mech 22mm 25br/120dC e 31	
2460C	4S4033289	ring-spcr mseal 25br 316ss 0.5	
6545B	4S4032377	stop ring 1/2" imp/seal 316ss	
2520	4S4032378	thrust ring (imp/spring) 316ss	
1154 chk pt no	4S4032351	stage ctrng w/ret vanes 304ss	
2410	4S4032359	spacer-imp vms100 316ss	
2250	4S4032355	impeller 121 dia.,b=5.6 304ss	
1150 chk pt no	4S4032341	stage w/rtn guide vanes 304ss	
2460D	4S4032380	spacer-int ring 1.5mm 316sst	
3400	4S4030500	sleeve-shaft 22ix26ox21 lg tc	
2460A	4S4033286	spacer-shaft slv 3.3mm 316ss	
2460A	4S4033287	spacer-shaft slv 8.7mm 316ss	
3044 chk pt no	4S4032347	stage w/ r.g.v. & brg 304sst	
1160	4S4032337	stage w/o ret guide vanes 304	
2911A	4S4032374	washer-shft end 10.25ix4.5 316	
9942	4S0061783	lockwasher 316ss DEC.M10 (lwr)	
9902B chk pt no	4S0433401	screw-shaft end lwr M10x20 316	
9130 chk pt no	4S4058635	Outer jacket tube 124.44 304SS	
4610B	4S4032286	o-ring tube epdm 185ix4t 304	
1111 chk pt no	427565-011	casing ci VMS100 250# 4700	
9923B	4S0056057	nut-tie bolt H.M16 pltd zinc	
9946B	4S0061701	lockwasher D16 (under 9923B)	
6571	4S4030451	bolt-tie M16 163.5mm lg stl	
7450A	4S4030446	guard-cplg ft85/ft130 (180tc)	
7450B	4S4030445	clip-cplg guard fixing	
4610A	4S4032291	o-ring-plug epdm 17i x3thk 304	
6521	4S4032373	plug-filling G1/2"npt 316sst	
4610C	4S4042329	o-ring plug epdm 7.53ix3.53t	
4610D	4S4032293	o-ring-plug epdm 10ix3thk 304	
6515 chk pt no	4S4032376	plug drain/priming 1/2"npt 316	
NOT SHOWN	933105-101	pipe plug, .25" hh solid galv	

VERTICAL MULTISTAGE PUMPS PARTS

MODEL NUMBER VMS 10003 - THREE PHASE

Item No.	Part No.	Part Description	Bar Code
3160	427555-011	bracket-mtr ci 210TC 4700	
7212	4S4045259	cplg-m/c 22mmx1.375 210TC6310	
3011	971101-764	bearing 50mm 6310c3-2rs	
6545A	4S0057982	ring-rtng int stl 110mm 6310	
6546	4S0061882	ring-rtng ext stl 50mm 6310	
4610E	4S4014512	o-ring-brg bun 110.49ix3.53thk	
9902D	911825-112	hshcs 1/2-13x 1.5 stl	
9902C	4S0312104	screw-cplg/mtr zinc pltd M8x30	
9946C	4S0063224	lockwasher 990 D8 (cplg)	
9902A chk pt no.	4S0312105	screw-uppr sft end M8x16 pltdz	
9946A	4S4030444	washer-flat 8.25i x1.5mm thk	
2110	4S4030397	shaft 22dia x 216lg 316ss	
4213	4S4032361	stationary ring holder 304ss	
4240	4S0083295	seat-sc 22mm 25br/120dC e 6	
4220	4S0083294	seal-mech 22mm 25br/120dC e 31	
2460C	4S4033289	ring-spcr mseal 25br 316ss 0.5	
6545B	4S4032377	stop ring 1/2" imp/seal 316ss	
2520	4S4032378	thrust ring (imp/spring) 316ss	
1154 chk pt no	4S4032351	stage ctrng w/ret vanes 304ss	
2410	4S4032359	spacer-imp vms100 316ss	
2250	4S4032355	impeller 121 dia.,b=5.6 304ss	
1150 chk pt no	4S4032341	stage w/rtn guide vanes 304ss	
2460D	4S4032380	spacer-int ring 1.5mm 316sst	
3400	4S4030500	sleeve-shaft 22ix26ox21 lg tc	
2460A	4S4033286	spacer-shaft slv 3.3mm 316ss	
2460A	4S4033287	spacer-shaft slv 8.7mm 316ss	
3044 chk pt no	4S4032347	stage w/ r.g.v. & brg 304sst	
1160	4S4032337	stage w/o ret guide vanes 304	
2911A	4S4032374	washer-shft end 10.25ix4.5 316	
9942	4S0061783	lockwasher 316ss DEC.M10 (lwr)	
9902B chk pt no	4S0433401	screw-shaft end lwr M10x20 316	
9130 chk pt no	4S4058635	Outer jacket tube 124.44 304SS	
4610B	4S4032286	o-ring tube epdm 185ix4t 304	
1111 chk pt no	427565-011	casing ci VMS100 250# 4700	
9923B	4S0056057	nut-tie bolt H.M16 pltd zinc	
9946B	4S0061701	lockwasher D16 (under 9923B)	
6571	4S4030451	bolt-tie M16 163.5mm lg stl	
7450A	4S4030446	guard-cplg ft85/ft130 (180tc)	
7450B	4S4030445	clip-cplg guard fixing	
4610A	4S4032291	o-ring-plug epdm 17i x3thk 304	
6521	4S4032373	plug-filling G1/2"npt 316sst	
4610C	4S4042329	o-ring plug epdm 7.53ix3.53t	
4610D	4S4032293	o-ring-plug epdm 10ix3thk 304	
6515 chk pt no	4S4032376	plug drain/priming 1/2"npt 316	
NOT SHOWN	933105-101	pipe plug, .25" hh solid galv	

VERTICAL MULTISTAGE PUMPS PARTS

MODEL NUMBER VMS 10004 - SINGLE & THREE PHASE

Item No.	Part No.	Part Description	Bar Code
3160	427555-011	bracket-mtr ci 210TC 4700	
7212	4S4045259	cplg-m/c 22mmx1.375 210TC6310	
3011	971101-764	bearing 50mm 6310c3-2rs	
6545A	4S0057982	ring-rtng int stl 110mm 6310	
6546	4S0061882	ring-rtng ext stl 50mm 6310	
4610E	4S4014512	o-ring-brg bun 110.49ix3.53thk	
9902D	911825-112	hshcs 1/2-13x 1.5 stl	
9902C	4S0312104	screw-cplg/mtr zinc pltd M8x30	
9946C	4S0063224	lockwasher 990 D8 (cplg)	
9902A chk pt no.	4S0312105	screw-uppr sft end M8x16 pltdz	
9946A	4S4030444	washer-flat 8.25i x1.5mm thk	
2110	4S4030398	shaft 22dia x 250.5lg 316ss	
4213	4S4032361	stationary ring holder 304ss	
4240	4S0083295	seat-sc 22mm 25br/120dC e 6	
4220	4S0083294	seal-mech 22mm 25br/120dC e 31	
2460C	4S4033289	ring-spcr mseal 25br 316ss 0.5	
6545B	4S4032377	stop ring 1/2" imp/seal 316ss	
2520	4S4032378	thrust ring (imp/spring) 316ss	
1154 chk pt no	4S4032351	stage ctrng w/ret vanes 304ss	
2410	4S4032359	spacer-imp vms100 316ss	
2250	4S4032355	impeller 121 dia.,b=5.6 304ss	
1150 chk pt no	4S4032341	stage w/rtn guide vanes 304ss	
2460D	4S4032380	spacer-int ring 1.5mm 316sst	
3400	4S4030500	sleeve-shaft 22ix26ox21 lg tc	
2460A	4S4033286	spacer-shaft slv 3.3mm 316ss	
2460A	4S4033287	spacer-shaft slv 8.7mm 316ss	
3044 chk pt no	4S4032347	stage w/ r.g.v. & brg 304sst	
1160	4S4032337	stage w/o ret guide vanes 304	
2911A	4S4032374	washer-shft end 10.25ix4.5 316	
9942	4S0061783	lockwasher 316ss DEC.M10 (lwr)	
9902B chk pt no	4S0433401	screw-shaft end lwr M10x20 316	
9130 chk pt no	4S4058636	Outer jacket tube 158.95 304SS	
4610B	4S4032286	o-ring tube epdm 185ix4t 304	
1111 chk pt no	427565-011	casing ci VMS100 250# 4700	
9923B	4S0056057	nut-tie bolt H.M16 pltd zinc	
9946B	4S0061701	lockwasher D16 (under 9923B)	
6571	4S4030452	bolt-tie M16 198mm lg stl	
7450A	4S4030446	guard-cplg ft85/ft130 (180tc)	
7450B	4S4030445	clip-cplg guard fixing	
4610A	4S4032291	o-ring-plug epdm 17i x3thk 304	
6521	4S4032373	plug-filling G1/2"npt 316sst	
4610C	4S4042329	o-ring plug epdm 7.53ix3.53t	
4610D	4S4032293	o-ring-plug epdm 10ix3thk 304	
6515 chk pt no	4S4032376	plug drain/priming 1/2"npt 316	
NOT SHOWN	933105-101	pipe plug, .25" hh solid galv	

VERTICAL MULTISTAGE PUMPS PARTS

MODEL NUMBER VMS 10005 - SINGLE PHASE

Item No.	Part No.	Part Description	Bar Code
3160	427555-011	bracket-mtr ci 210TC 4700	
7212	4S4045259	cplg-m/c 22mmx1.375 210TC6310	
3011	971101-764	bearing 50mm 6310c3-2rs	
6545A	4S0057982	ring-rtng int stl 110mm 6310	
6546	4S0061882	ring-rtng ext stl 50mm 6310	
4610E	4S4014512	o-ring-brg bun 110.49ix3.53thk	
9902D	911825-112	hshcs 1/2-13x 1.5 stl	
9902C	4S0312104	screw-cplg/mtr zinc pltd M8x30	
9946C	4S0063224	lockwasher 990 D8 (cplg)	
9902A chk pt no.	4S0312105	screw-uppr sft end M8x16 pltdz	
9946A	4S4030444	washer-flat 8.25i x1.5mm thk	
2110	4S4030399	shaft 22dia x 285lg 316ss	
4213	4S4032361	stationary ring holder 304ss	
4240	4S0083295	seat-sc 22mm 25br/120dC e 6	
4220	4S0083294	seal-mech 22mm 25br/120dC e 31	
2460C	4S4033289	ring-spcr mseal 25br 316ss 0.5	
6545B	4S4032377	stop ring 1/2" imp/seal 316ss	
2520	4S4032378	thrust ring (imp/spring) 316ss	
1154 chk pt no	4S4032351	stage ctrng w/ret vanes 304ss	
2410	4S4032359	spacer-imp vms100 316ss	
2250	4S4032355	impeller 121 dia.,b=5.6 304ss	
1150 chk pt no	4S4032341	stage w/rtn guide vanes 304ss	
2460D	4S4032380	spacer-int ring 1.5mm 316sst	
3400	4S4030500	sleeve-shaft 22ix26ox21 lg tc	
2460A	4S4033286	spacer-shaft slv 3.3mm 316ss	
2460A	4S4033287	spacer-shaft slv 8.7mm 316ss	
3044 chk pt no	4S4032347	stage w/ r.g.v. & brg 304sst	
1160	4S4032337	stage w/o ret guide vanes 304	
2911A	4S4032374	washer-shft end 10.25ix4.5 316	
9942	4S0061783	lockwasher 316ss DEC.M10 (lwr)	
9902B chk pt no	4S0433401	screw-shaft end lwr M10x20 316	
9130 chk pt no	4S4058637	Outer jacket tube 193.46 304SS	
4610B	4S4032286	o-ring tube epdm 185ix4t 304	
1111 chk pt no	427565-011	casing ci VMS100 250# 4700	
9923B	4S0056057	nut-tie bolt H.M16 pltd zinc	
9946B	4S0061701	lockwasher D16 (under 9923B)	
6571	4S4030453	bolt-tie M16 232.5mm lg stl	
7450A	4S4030446	guard-cplg ft85/ft130 (180tc)	
7450B	4S4030445	clip-cplg guard fixing	
4610A	4S4032291	o-ring-plug epdm 17i x3thk 304	
6521	4S4032373	plug-filling G1/2"npt 316sst	
4610C	4S4042329	o-ring plug epdm 7.53ix3.53t	
4610D	4S4032293	o-ring-plug epdm 10ix3thk 304	
6515 chk pt no	4S4032376	plug drain/priming 1/2"npt 316	
NOT SHOWN	933105-101	pipe plug, .25" hh solid galv	

VERTICAL MULTISTAGE PUMPS PARTS

MODEL NUMBER VMS 10006 - SINGLE PHASE

Item No.	Part No.	Part Description	Bar Code
3160	427555-011	bracket-mtr ci 210TC 4700	
7212	4S4045259	cplg-m/c 22mmx1.375 210TC6310	
3011	971101-764	bearing 50mm 6310c3-2rs	
6545A	4S0057982	ring-rtng int stl 110mm 6310	
6546	4S0061882	ring-rtng ext stl 50mm 6310	
4610E	4S4014512	o-ring-brg bun 110.49ix3.53thk	
9902D	911825-112	hshcs 1/2-13x 1.5 stl	
9902C	4S0312104	screw-cplg/mtr zinc pltd M8x30	
9946C	4S0063224	lockwasher 990 D8 (cplg)	
9902A chk pt no.	4S0312105	screw-uppr sft end M8x16 pltdz	
9946A	4S4030444	washer-flat 8.25i x1.5mm thk	
2110	4S4030401	shaft 22dia x 319.5lg 316ss	
4213	4S4032361	stationary ring holder 304ss	
4240	4S0083295	seat-sc 22mm 25br/120dC e 6	
4220	4S0083294	seal-mech 22mm 25br/120dC e 31	
2460C	4S4033289	ring-spcr mseal 25br 316ss 0.5	
6545B	4S4032377	stop ring 1/2" imp/seal 316ss	
2520	4S4032378	thrust ring (imp/spring) 316ss	
1154 chk pt no	4S4032351	stage ctrng w/ret vanes 304ss	
2410	4S4032359	spacer-imp vms100 316ss	
2250	4S4032355	impeller 121 dia.,b=5.6 304ss	
1150 chk pt no	4S4032341	stage w/rtn guide vanes 304ss	
2460D	4S4032380	spacer-int ring 1.5mm 316sst	
3400	4S4030500	sleeve-shaft 22ix26ox21 lg tc	
2460A	4S4033286	spacer-shaft slv 3.3mm 316ss	
2460A	4S4033287	spacer-shaft slv 8.7mm 316ss	
3044 chk pt no	4S4032347	stage w/ r.g.v. & brg 304sst	
1160	4S4032337	stage w/o ret guide vanes 304	
2911A	4S4032374	washer-shft end 10.25ix4.5 316	
9942	4S0061783	lockwasher 316ss DEC.M10 (lwr)	
9902B chk pt no	4S0433401	screw-shaft end lwr M10x20 316	
9130 chk pt no	4S4058638	Outer jacket tube 227.98 304SS	
4610B	4S4032286	o-ring tube epdm 185ix4t 304	
1111 chk pt no	427565-011	casing ci VMS100 250# 4700	
9923B	4S0056057	nut-tie bolt H.M16 pltd zinc	
9946B	4S0061701	lockwasher D16 (under 9923B)	
6571	4S4030455	bolt-tie M16 267mm lg stl	
7450A	4S4030446	guard-cplg ft85/ft130 (180tc)	
7450B	4S4030445	clip-cplg guard fixing	
4610A	4S4032291	o-ring-plug epdm 17i x3thk 304	
6521	4S4032373	plug-filling G1/2"npt 316sst	
4610C	4S4042329	o-ring plug epdm 7.53ix3.53t	
4610D	4S4032293	o-ring-plug epdm 10ix3thk 304	
6515 chk pt no	4S4032376	plug drain/priming 1/2"npt 316	
NOT SHOWN	933105-101	pipe plug, .25" hh solid galv	

VERTICAL MULTISTAGE PUMPS PARTS

MODEL NUMBER VMS 10006 - THREE PHASE

Item No.	Part No.	Part Description	Bar Code
3160	427556-011	bracket-mtr ci 250TC 4700	
7212	4S4045260	cplg-m/c 22mmx1.625 250TC6312	
3011	4S4032283	bearing 60mm 6312c3-2rs	
6545A	4S0063428	ring-rtng ext stl 60mm 6312	
6546	4S4032277	ring-rtng int stl 130mm 6312	
4610E	961131-354	ring-o 5-1/8"ID X 5-1/2"OD	
9902D	911825-112	hshcs 1/2-13x 1.5 stl	
9902C	4S0412103	screw-cplg/mtr zinc plt M10x30	
9946C	4S0061689	lockwasher 990 D10 (cplg)	
9902A chk pt no.	4S0312105	screw-uppr sft end M8x16 pltdz	
9946A	4S4030444	washer-flat 8.25i x1.5mm thk	
2110	4S4030401	shaft 22dia x 319.5lg 316ss	
4213	4S4032361	stationary ring holder 304ss	
4240	4S0083295	seat-sc 22mm 25br/120dC e 6	
4220	4S0083294	seal-mech 22mm 25br/120dC e 31	
2460C	4S4033289	ring-spcr mseal 25br 316ss 0.5	
6545B	4S4032377	stop ring 1/2" imp/seal 316ss	
2520	4S4032378	thrust ring (imp/spring) 316ss	
1154 chk pt no	4S4032351	stage ctrng w/ret vanes 304ss	
2410	4S4032359	spacer-imp vms100 316ss	
2250	4S4032355	impeller 121 dia.,b=5.6 304ss	
1150 chk pt no	4S4032341	stage w/rtn guide vanes 304ss	
2460D	4S4032380	spacer-int ring 1.5mm 316sst	
3400	4S4030500	sleeve-shaft 22ix26ox21 lg tc	
2460A	4S4033286	spacer-shaft slv 3.3mm 316ss	
2460A	4S4033287	spacer-shaft slv 8.7mm 316ss	
3044 chk pt no	4S4032347	stage w/ r.g.v. & brg 304sst	
1160	4S4032337	stage w/o ret guide vanes 304	
2911A	4S4032374	washer-shft end 10.25ix4.5 316	
9942	4S0061783	lockwasher 316ss DEC.M10 (lwr)	
9902B chk pt no	4S0433401	screw-shaft end lwr M10x20 316	
9130 chk pt no	4S4058638	Outer jacket tube 227.98 304SS	
4610B	4S4032286	o-ring tube epdm 185ix4t 304	
1111 chk pt no	427565-011	casing ci VMS100 250# 4700	
9923B	4S0056057	nut-tie bolt H.M16 pltd zinc	
9946B	4S0061701	lockwasher D16 (under 9923B)	
6571	4S4030455	bolt-tie M16 267mm lg stl	
7450A	4S4030446	guard-cplg ft85/ft130 (180tc)	
7450B	4S4030445	clip-cplg guard fixing	
4610A	4S4032291	o-ring-plug epdm 17i x3thk 304	
6521	4S4032373	plug-filling G1/2"npt 316sst	
4610C	4S4042329	o-ring plug epdm 7.53ix3.53t	
4610D	4S4032293	o-ring-plug epdm 10ix3thk 304	
6515 chk pt no	4S4032376	plug drain/priming 1/2"npt 316	
NOT SHOWN	933105-101	pipe plug, .25" hh solid galv	

VERTICAL MULTISTAGE PUMPS PARTS

MODEL NUMBER VMS 10007 - SINGLE & THREE PHASE

Item No.	Part No.	Part Description	Bar Code
3160	427556-011	bracket-mtr ci 250TC 4700	
7212	4S4045260	cplg-m/c 22mmx1.625 250TC6312	
3011	4S4032283	bearing 60mm 6312c3-2rs	
6545A	4S0063428	ring-rtng ext stl 60mm 6312	
6546	4S4032277	ring-rtng int stl 130mm 6312	
4610E	961131-354	ring-o 5-1/8"ID X 5-1/2"OD	
9902D	911825-112	hshcs 1/2-13x 1.5 stl	
9902C	4S0412103	screw-cplg/mtr zinc plt M10x30	
9946C	4S0061689	lockwasher 990 D10 (cplg)	
9902A chk pt no.	4S0312105	screw-uppr sft end M8x16 pltdz	
9946A	4S4030444	washer-flat 8.25i x1.5mm thk	
2110	4S4030404	shaft 22dia x 388.5lg 316ss	
4213	4S4032361	stationary ring holder 304ss	
4240	4S0083295	seat-sc 22mm 25br/120dC e 6	
4220	4S0083294	seal-mech 22mm 25br/120dC e 31	
2460C	4S4033289	ring-spcr mseal 25br 316ss 0.5	
6545B	4S4032377	stop ring 1/2" imp/seal 316ss	
2520	4S4032378	thrust ring (imp/spring) 316ss	
1154 chk pt no	4S4032351	stage ctrng w/ret vanes 304ss	
2410	4S4032359	spacer-imp vms100 316ss	
2250	4S4032355	impeller 121 dia.,b=5.6 304ss	
1150 chk pt no	4S4032341	stage w/rtn guide vanes 304ss	
2460D	4S4032380	spacer-int ring 1.5mm 316sst	
3400	4S4030500	sleeve-shaft 22ix26ox21 lg tc	
2460A	4S4033286	spacer-shaft slv 3.3mm 316ss	
2460A	4S4033287	spacer-shaft slv 8.7mm 316ss	
3044 chk pt no	4S4032347	stage w/ r.g.v. & brg 304sst	
1160	4S4032337	stage w/o ret guide vanes 304	
2911A	4S4032374	washer-shft end 10.25ix4.5 316	
9942	4S0061783	lockwasher 316ss DEC.M10 (lwr)	
9902B chk pt no	4S0433401	screw-shaft end lwr M10x20 316	
9130 chk pt no	4S4058639	Outer jacket tube 297.00 304SS	
4610B	4S4032286	o-ring tube epdm 185ix4t 304	
1111 chk pt no	427565-011	casing ci VMS100 250# 4700	
9923B	4S0056057	nut-tie bolt H.M16 pltd zinc	
9946B	4S0061701	lockwasher D16 (under 9923B)	
6571	4S4030458	bolt-tie M16 336mm lg stl	
7450A	4S4030447	guard-cplg ff265-300(210250tc)	
7450B	4S4030445	clip-cplg guard fixing	
4610A	4S4032291	o-ring-plug epdm 17i x3thk 304	
6521	4S4032373	plug-filling G1/2"npt 316sst	
4610C	4S4042329	o-ring plug epdm 7.53ix3.53t	
4610D	4S4032293	o-ring-plug epdm 10ix3thk 304	
6515 chk pt no	4S4032376	plug drain/priming 1/2"npt 316	
NOT SHOWN	933105-101	pipe plug, .25" hh solid galv	

VERTICAL MULTISTAGE PUMPS PARTS

MODEL NUMBER VMS 10008 - SINGLE & THREE PHASE

Item No.	Part No.	Part Description	Bar Code
3160	427556-011	bracket-mtr ci 250TC 4700	
7212	4S4045260	cplg-m/c 22mmx1.625 250TC6312	
3011	4S4032283	bearing 60mm 6312c3-2rs	
6545A	4S0063428	ring-rtng ext stl 60mm 6312	
6546	4S4032277	ring-rtng int stl 130mm 6312	
4610E	961131-354	ring-o 5-1/8"ID X 5-1/2"OD	
9902D	911825-112	hshcs 1/2-13x 1.5 stl	
9902C	4S0412103	screw-cplg/mtr zinc plt M10x30	
9946C	4S0061689	lockwasher 990 D10 (cplg)	
9902A chk pt no.	4S0312105	screw-uppr sft end M8x16 pltdz	
9946A	4S4030444	washer-flat 8.25i x1.5mm thk	
2110	4S4030404	shaft 22dia x 388.5lg 316ss	
4213	4S4032361	stationary ring holder 304ss	
4240	4S0083295	seat-sc 22mm 25br/120dC e 6	
4220	4S0083294	seal-mech 22mm 25br/120dC e 31	
2460C	4S4033289	ring-spcr mseal 25br 316ss 0.5	
6545B	4S4032377	stop ring 1/2" imp/seal 316ss	
2520	4S4032378	thrust ring (imp/spring) 316ss	
1154 chk pt no	4S4032351	stage ctrng w/ret vanes 304ss	
2410	4S4032359	spacer-imp vms100 316ss	
2250	4S4032355	impeller 121 dia.,b=5.6 304ss	
1150 chk pt no	4S4032341	stage w/rtn guide vanes 304ss	
2460D	4S4032380	spacer-int ring 1.5mm 316sst	
3400	4S4030500	sleeve-shaft 22ix26ox21 lg tc	
2460A	4S4033286	spacer-shaft slv 3.3mm 316ss	
2460A	4S4033287	spacer-shaft slv 8.7mm 316ss	
3044 chk pt no	4S4032347	stage w/ r.g.v. & brg 304sst	
1160	4S4032337	stage w/o ret guide vanes 304	
2911A	4S4032374	washer-shft end 10.25ix4.5 316	
9942	4S0061783	lockwasher 316ss DEC.M10 (lwr)	
9902B chk pt no	4S0433401	screw-shaft end lwr M10x20 316	
9130 chk pt no	4S4058639	Outer jacket tube 297.00 304SS	
4610B	4S4032286	o-ring tube epdm 185ix4t 304	
1111 chk pt no	427565-011	casing ci VMS100 250# 4700	
9923B	4S0056057	nut-tie bolt H.M16 pltd zinc	
9946B	4S0061701	lockwasher D16 (under 9923B)	
6571	4S4030458	bolt-tie M16 336mm lg stl	
7450A	4S4030447	guard-cplg ff265-300(210250tc)	
7450B	4S4030445	clip-cplg guard fixing	
4610A	4S4032291	o-ring-plug epdm 17i x3thk 304	
6521	4S4032373	plug-filling G1/2"npt 316sst	
4610C	4S4042329	o-ring plug epdm 7.53ix3.53t	
4610D	4S4032293	o-ring-plug epdm 10ix3thk 304	
6515 chk pt no	4S4032376	plug drain/priming 1/2"npt 316	
NOT SHOWN	933105-101	pipe plug, .25" hh solid galv	

VERTICAL MULTISTAGE PUMPS PARTS

MODEL NUMBER VMS 10009 - SINGLE & THREE PHASE

Item No.	Part No.	Part Description	Bar Code
	427546-000	assy-brkt/cplg ci 250TC 4700	
3160	427556-011	bracket-mtr ci 250TC 4700	
7212	4S4045260	cplg-m/c 22mmx1.625 250TC6312	
3011	4S4032283	bearing 60mm 6312c3-2rs	
6545A	4S0063428	ring-rtng ext stl 60mm 6312	
6546	4S4032277	ring-rtng int stl 130mm 6312	
4610E	961131-354	ring-o 5-1/8"ID X 5-1/2"OD	
9902D	911825-112	hshcs 1/2-13x 1.5 stl	
9902C	4S0412103	screw-cplg/mtr zinc plt M10x30	
9946C	4S0061689	lockwasher 990 D10 (cplg)	
9902A chk pt no.	4S0312105	screw-uppr sft end M8x16 pltdz	
9946A	4S4030444	washer-flat 8.25i x1.5mm thk	
2110	4S4030407	shaft 22dia x 457.5lg 316ss	
4213	4S4032361	stationary ring holder 304ss	
4240	4S0083295	seat-sc 22mm 25br/120dC e 6	
4220	4S0083294	seal-mech 22mm 25br/120dC e 31	
2460C	4S4033289	ring-spcr mseal 25br 316ss 0.5	
6545B	4S4032377	stop ring 1/2" imp/seal 316ss	
2520	4S4032378	thrust ring (imp/spring) 316ss	
1154 chk pt no	4S4032351	stage ctrng w/ret vanes 304ss	
2410	4S4032359	spacer-imp vms100 316ss	
2250	4S4032355	impeller 121 dia.,b=5.6 304ss	
1150 chk pt no	4S4032341	stage w/rtn guide vanes 304ss	
2460D	4S4032380	spacer-int ring 1.5mm 316sst	
3400	4S4030500	sleeve-shaft 22ix26ox21 lg tc	
2460A	4S4033286	spacer-shaft slv 3.3mm 316ss	
2460A	4S4033287	spacer-shaft slv 8.7mm 316ss	
3044 chk pt no	4S4032347	stage w/ r.g.v. & brg 304sst	
1160	4S4032337	stage w/o ret guide vanes 304	
2911A	4S4032374	washer-shft end 10.25ix4.5 316	
9942	4S0061783	lockwasher 316ss DEC.M10 (lwr)	
9902B chk pt no	4S0433401	screw-shaft end lwr M10x20 316	
9130 chk pt no	4S4058640	Outer jacket tube 366.02 304SS	
4610B	4S4032286	o-ring tube epdm 185ix4t 304	
1111 chk pt no	427565-011	casing ci VMS100 250# 4700	
9923B	4S0056057	nut-tie bolt H.M16 pltd zinc	
9946B	4S0061701	lockwasher D16 (under 9923B)	
6571	4S4030461	bolt-tie M16 405mm lg stl	
7450A	4S4030447	guard-cplg ff265-300(210250tc)	
7450B	4S4030445	clip-cplg guard fixing	
4610A	4S4032291	o-ring-plug epdm 17i x3thk 304	
6521	4S4032373	plug-filling G1/2"npt 316sst	
4610C	4S4042329	o-ring plug epdm 7.53ix3.53t	
4610D	4S4032293	o-ring-plug epdm 10ix3thk 304	
6515 chk pt no	4S4032376	plug drain/priming 1/2"npt 316	
NOT SHOWN	933105-101	pipe plug, .25" hh solid galv	

VERTICAL MULTISTAGE PUMPS PARTS

MODEL NUMBER VMS 10010 - SINGLE PHASE

Item No.	Part No.	Part Description	Bar Code
3160	427556-011	bracket-mtr ci 250TC 4700	
7212	4S4045260	cplg-m/c 22mmx1.625 250TC6312	
3011	4S4032283	bearing 60mm 6312c3-2rs	
6545A	4S0063428	ring-rtng ext stl 60mm 6312	
6546	4S4032277	ring-rtng int stl 130mm 6312	
4610E	961131-354	ring-o 5-1/8"ID X 5-1/2"OD	
9902D	911825-112	hshcs 1/2-13x 1.5 stl	
9902C	4S0412103	screw-cplg/mtr zinc plt M10x30	
9946C	4S0061689	lockwasher 990 D10 (cplg)	
9902A chk pt no.	4S0312105	screw-uppr sft end M8x16 pltdz	
9946A	4S4030444	washer-flat 8.25i x1.5mm thk	
2110	4S4030407	shaft 22dia x 457.5lg 316ss	
4213	4S4032361	stationary ring holder 304ss	
4240	4S0083295	seat-sc 22mm 25br/120dC e 6	
4220	4S0083294	seal-mech 22mm 25br/120dC e 31	
2460C	4S4033289	ring-spcr mseal 25br 316ss 0.5	
6545B	4S4032377	stop ring 1/2" imp/seal 316ss	
2520	4S4032378	thrust ring (imp/spring) 316ss	
1154 chk pt no	4S4032351	stage ctrng w/ret vanes 304ss	
2410	4S4032359	spacer-imp vms100 316ss	
2250	4S4032355	impeller 121 dia.,b=5.6 304ss	
1150 chk pt no	4S4032341	stage w/rtn guide vanes 304ss	
2460D	4S4032380	spacer-int ring 1.5mm 316sst	
3400	4S4030500	sleeve-shaft 22ix26ox21 lg tc	
2460A	4S4033286	spacer-shaft slv 3.3mm 316ss	
2460A	4S4033287	spacer-shaft slv 8.7mm 316ss	
3044 chk pt no	4S4032347	stage w/ r.g.v. & brg 304sst	
1160	4S4032337	stage w/o ret guide vanes 304	
2911A	4S4032374	washer-shft end 10.25ix4.5 316	
9942	4S0061783	lockwasher 316ss DEC.M10 (lwr)	
9902B chk pt no	4S0433401	screw-shaft end lwr M10x20 316	
9130 chk pt no	4S4058640	Outer jacket tube 366.02 304SS	
4610B	4S4032286	o-ring tube epdm 185ix4t 304	
1111 chk pt no	427565-011	casing ci VMS100 250# 4700	
9923B	4S0056057	nut-tie bolt H.M16 pltd zinc	
9946B	4S0061701	lockwasher D16 (under 9923B)	
6571	4S4030461	bolt-tie M16 405mm lg stl	
7450A	4S4030447	guard-cplg ff265-300(210250tc)	
7450B	4S4030445	clip-cplg guard fixing	
4610A	4S4032291	o-ring-plug epdm 17i x3thk 304	
6521	4S4032373	plug-filling G1/2"npt 316sst	
4610C	4S4042329	o-ring plug epdm 7.53ix3.53t	
4610D	4S4032293	o-ring-plug epdm 10ix3thk 304	
6515 chk pt no	4S4032376	plug drain/priming 1/2"npt 316	
NOT SHOWN	933105-101	pipe plug, .25" hh solid galv	

VERTICAL MULTISTAGE PUMPS PARTS

MODEL NUMBER VMS 10010 - THREE PHASE

Item No.	Part No.	Part Description	Bar Code
3160	427557-011	bracket-mtr ci 280TSC 4700	
7212	4S4045261	cplg-m/c 22mmx1.625 280TSC6313	
3011	4S4032284	bearing 65mm 6313c3-2rs	
6545A	4S0058679	ring-rtng int stl 140mm 6313	
6546	4S4032276	ring-rtng ext stl 65mm 6313	
4610E	961131-357	ring-o 5-1/2"ID X 5-7/8"OD	
9902D	911825-112	hshcs 1/2-13x 1.5 stl	
9902C	4S0412103	screw-cplg/mtr zinc plt M10x30	
9946C	4S0061689	lockwasher 990 D10 (cplg)	
9902A chk pt no.	4S0312105	screw-uppr sft end M8x16 pltdz	
9946A	4S4030444	washer-flat 8.25i x1.5mm thk	
2110	4S4030407	shaft 22dia x 457.5lg 316ss	
4213	4S4032361	stationary ring holder 304ss	
4240	4S0083295	seat-sc 22mm 25br/120dC e 6	
4220	4S0083294	seal-mech 22mm 25br/120dC e 31	
2460C	4S4033289	ring-spcr mseal 25br 316ss 0.5	
6545B	4S4032377	stop ring 1/2" imp/seal 316ss	
2520	4S4032378	thrust ring (imp/spring) 316ss	
1154 chk pt no	4S4032351	stage ctrng w/ret vanes 304ss	
2410	4S4032359	spacer-imp vms100 316ss	
2250	4S4032355	impeller 121 dia.,b=5.6 304ss	
1150 chk pt no	4S4032341	stage w/rtn guide vanes 304ss	
2460D	4S4032380	spacer-int ring 1.5mm 316sst	
3400	4S4030500	sleeve-shaft 22ix26ox21 lg tc	
2460A	4S4033286	spacer-shaft slv 3.3mm 316ss	
2460A	4S4033287	spacer-shaft slv 8.7mm 316ss	
3044 chk pt no	4S4032347	stage w/ r.g.v. & brg 304sst	
1160	4S4032337	stage w/o ret guide vanes 304	
2911A	4S4032374	washer-shft end 10.25ix4.5 316	
9942	4S0061783	lockwasher 316ss DEC.M10 (lwr)	
9902B chk pt no	4S0433401	screw-shaft end lwr M10x20 316	
9130 chk pt no	4S4058640	Outer jacket tube 366.02 304SS	
4610B	4S4032286	o-ring tube epdm 185ix4t 304	
1111 chk pt no	427565-011	casing ci VMS100 250# 4700	
9923B	4S0056057	nut-tie bolt H.M16 pltd zinc	
9946B	4S0061701	lockwasher D16 (under 9923B)	
6571	4S4030461	bolt-tie M16 405mm lg stl	
7450A	4S4030447	guard-cplg ff265-300(210250tc)	
7450B	4S4030445	clip-cplg guard fixing	
4610A	4S4032291	o-ring-plug epdm 17i x3thk 304	
6521	4S4032373	plug-filling G1/2"npt 316sst	
4610C	4S4042329	o-ring plug epdm 7.53ix3.53t	
4610D	4S4032293	o-ring-plug epdm 10ix3thk 304	
6515 chk pt no	4S4032376	plug drain/priming 1/2"npt 316	
NOT SHOWN	933105-101	pipe plug, .25" hh solid galv	

VERTICAL MULTISTAGE PUMPS PARTS

MODEL NUMBER VMS 18002 - 125# - THREE PHASE

Item No.	Part No.	Part Description	Bar Code
3160	427555-011	bracket-mtr ci 210TC 4700	
7212	4S4045259	cplg-m/c 22mmx1.375 210TC6310	
3011	971101-764	bearing 50mm 6310c3-2rs	
6545A	4S0057982	ring-rtng int stl 110mm 6310	
6546	4S0061882	ring-rtng ext stl 50mm 6310	
4610E	4S4014512	o-ring-brg bun 110.49ix3.53thk	
9902D	911825-112	hshcs 1/2-13x 1.5 stl	
9902C	4S0312104	screw-cplg/mtr zinc pltd M8x30	
9946C	4S0063224	lockwasher 990 D8 (cplg)	
9902A chk pt no.	4S0312105	screw-uppr sft end M8x16 pltdz	
9946A	4S4030444	washer-flat 8.25i x1.5mm thk	
2110	4S4030396	shaft 22dia x 204.5lg 316ss	
4213	4S4032361	stationary ring holder 304ss	
4240	4S0083295	seat-sc 22mm 25br/120dC e 6	
4220	4S0083294	seal-mech 22mm 25br/120dC e 31	
2460C	4S4033289	ring-spcr mseal 25br 316ss 0.5	
6545B	4S4032377	stop ring 1/2" imp/seal 316ss	
2520	4S4032379	thrust ring (imp/spring) 316ss	
1154 chk pt no	4S4032353	stage ctrng w/ ret cnl 304ss	
2410	4S4032360	spacer-imp vms180 316ss	
2250	4S4032357	impeller 125.5dia x b=9 304sst	
1150 chk pt no	4S4032343	stage w/ret guide vanes 304ss	
2460D	4S4032381	spacer-int ring 2.5mm 316sst	
3400	4S4030500	sleeve-shaft 22ix26ox21 lg tc	
2460A	4S4033287	spacer-shaft slv 8.7mm 316ss	
2460A	4S4033288	spacer-shaft slv 13.8mm 316ss	
3044 chk pt no	4S4032349	stage w/ r.g.v. & brg 304sst	
1160	4S4032339	stage w/o ret guide vanes 304	
2911A	4S4032375	washer, shaft end 10.25x25x8.0	
9942	4S0061783	lockwasher 316ss DEC.M10 (lwr)	
9902B chk pt no	4S0433401	screw-shaft end lwr M10x20 316	
9130 chk pt no	4S4030423	tube-liner ext 112.93mm 304ss	
4610B	4S4032286	o-ring tube epdm 185ix4t 304	
1111 chk pt no	427566-011	casing ci VMS180 125# 4700	
9923B	4S0056057	nut-tie bolt H.M16 pltd zinc	
9946B	4S0061701	lockwasher D16 (under 9923B)	
6571	4S4030450	bolt-tie M16 152.0mm lg stl	
7450A	4S4030447	guard-cplg ff265-300(210250tc)	
7450B	4S4030445	clip-cplg guard fixing	
4610A	4S4032291	o-ring-plug epdm 17i x3thk 304	
6521	4S4032373	plug-filling G1/2"npt 316sst	
4610C	4S4042329	o-ring plug epdm 7.53ix3.53t	
4610D	4S4032293	o-ring-plug epdm 10ix3thk 304	
6515 chk pt no	4S4032376	plug drain/priming 1/2"npt 316	
NOT SHOWN	933105-101	pipe plug, .25" hh solid galv	

VERTICAL MULTISTAGE PUMPS PARTS

MODEL NUMBER VMS 18002 - 250# - THREE PHASE

Item No.	Part No.	Part Description	Bar Code
3160	427555-011	bracket-mtr ci 210TC 4700	
7212	4S4045259	cplg-m/c 22mmx1.375 210TC6310	
3011	971101-764	bearing 50mm 6310c3-2rs	
6545A	4S0057982	ring-rtng int stl 110mm 6310	
6546	4S0061882	ring-rtng ext stl 50mm 6310	
4610E	4S4014512	o-ring-brg bun 110.49ix3.53thk	
9902D	911825-112	hshcs 1/2-13x 1.5 stl	
9902C	4S0312104	screw-cplg/mtr zinc pltd M8x30	
9946C	4S0063224	lockwasher 990 D8 (cplg)	
9902A chk pt no.	4S0312105	screw-uppr sft end M8x16 pltdz	
9946A	4S4030444	washer-flat 8.25i x1.5mm thk	
2110	4S4030396	shaft 22dia x 204.5lg 316ss	
4213	4S4032361	stationary ring holder 304ss	
4240	4S0083295	seat-sc 22mm 25br/120dC e 6	
4220	4S0083294	seal-mech 22mm 25br/120dC e 31	
2460C	4S4033289	ring-spcr mseal 25br 316ss 0.5	
6545B	4S4032377	stop ring 1/2" imp/seal 316ss	
2520	4S4032379	thrust ring (imp/spring) 316ss	
1154 chk pt no	4S4032353	stage ctrng w/ ret cnl 304ss	
2410	4S4032360	spacer-imp vms180 316ss	
2250	4S4032357	impeller 125.5dia x b=9 304sst	
1150 chk pt no	4S4032343	stage w/ret guide vanes 304ss	
2460D	4S4032381	spacer-int ring 2.5mm 316sst	
3400	4S4030500	sleeve-shaft 22ix26ox21 lg tc	
2460A	4S4033287	spacer-shaft slv 8.7mm 316ss	
2460A	4S4033288	spacer-shaft slv 13.8mm 316ss	
3044 chk pt no	4S4032349	stage w/ r.g.v. & brg 304sst	
1160	4S4032339	stage w/o ret guide vanes 304	
2911A	4S4032375	washer, shaft end 10.25x25x8.0	
9942	4S0061783	lockwasher 316ss DEC.M10 (lwr)	
9902B chk pt no	4S0433401	screw-shaft end lwr M10x20 316	
9130 chk pt no	4S4058634	Outer jacket tube 112.93 304SS	
4610B	4S4032286	o-ring tube epdm 185ix4t 304	
1111 chk pt no	427567-011	casing ci VMS180 250# 4700	
9923B	4S0056057	nut-tie bolt H.M16 pltd zinc	
9946B	4S0061701	lockwasher D16 (under 9923B)	
6571	4S4030450	bolt-tie M16 152.0mm lg stl	
not in pts list	4S4030447	guard-cplg ff265-300(210250tc)	
7450A	4S4030445	clip-cplg guard fixing	
7450B	4S4032291	o-ring-plug epdm 17i x3thk 304	
6521	4S4032373	plug-filling G1/2"npt 316sst	
4610C	4S4042329	o-ring plug epdm 7.53ix3.53t	
4610D	4S4032293	o-ring-plug epdm 10ix3thk 304	
6515 chk pt no	4S4032376	plug drain/priming 1/2"npt 316	
NOT SHOWN	933105-101	pipe plug, .25" hh solid galv	

VERTICAL MULTISTAGE PUMPS PARTS

MODEL NUMBER VMS 18003 - 125# - THREE PHASE

Item No.	Part No.	Part Description	Bar Code
3160	427555-011	bracket-mtr ci 210TC 4700	
7212	4S4045259	cplg-m/c 22mmx1.375 210TC6310	
3011	971101-764	bearing 50mm 6310c3-2rs	
6545A	4S0057982	ring-rtng int stl 110mm 6310	
6546	4S0061882	ring-rtng ext stl 50mm 6310	
4610E	4S4014512	o-ring-brg bun 110.49ix3.53thk	
9902D	911825-112	hshcs 1/2-13x 1.5 stl	
9902C	4S0312104	screw-cplg/mtr zinc pltd M8x30	
9946C	4S0063224	lockwasher 990 D8 (cplg)	
9902A chk pt no.	4S0312105	screw-uppr sft end M8x16 pltdz	
9946A	4S4030444	washer-flat 8.25i x1.5mm thk	
2110	4S4030398	shaft 22dia x 250.5lg 316ss	
4213	4S4032361	stationary ring holder 304ss	
4240	4S0083295	seat-sc 22mm 25br/120dC e 6	
4220	4S0083294	seal-mech 22mm 25br/120dC e 31	
2460C	4S4033289	ring-spcr mseal 25br 316ss 0.5	
6545B	4S4032377	stop ring 1/2" imp/seal 316ss	
2520	4S4032379	thrust ring (imp/spring) 316ss	
1154 chk pt no	4S4032353	stage ctrng w/ ret cnl 304ss	
2410	4S4032360	spacer-imp vms180 316ss	
2250	4S4032357	impeller 125.5dia x b=9 304sst	
1150 chk pt no	4S4032343	stage w/ret guide vanes 304ss	
2460D	4S4032381	spacer-int ring 2.5mm 316sst	
3400	4S4030500	sleeve-shaft 22ix26ox21 lg tc	
2460A	4S4033287	spacer-shaft slv 8.7mm 316ss	
2460A	4S4033288	spacer-shaft slv 13.8mm 316ss	
3044 chk pt no	4S4032349	stage w/ r.g.v. & brg 304sst	
1160	4S4032339	stage w/o ret guide vanes 304	
2911A	4S4032375	washer, shaft end 10.25x25x8.0	
9942	4S0061783	lockwasher 316ss DEC.M10 (lwr)	
9902B chk pt no	4S0433401	screw-shaft end lwr M10x20 316	
9130 chk pt no	4S4030425	tube-liner ext 158.95mm 304sst	
4610B	4S4032286	o-ring tube epdm 185ix4t 304	
1111 chk pt no	427566-011	casing ci VMS180 125# 4700	
9923B	4S0056057	nut-tie bolt H.M16 pltd zinc	
9946B	4S0061701	lockwasher D16 (under 9923B)	
6571	4S4030452	bolt-tie M16 198mm lg stl	
7450A	4S4030447	guard-cplg ff265-300(210250tc)	
7450B	4S4030445	clip-cplg guard fixing	
4610A	4S4032291	o-ring-plug epdm 17i x3thk 304	
6521	4S4032373	plug-filling G1/2"npt 316sst	
4610C	4S4042329	o-ring plug epdm 7.53ix3.53t	
4610D	4S4032293	o-ring-plug epdm 10ix3thk 304	
6515 chk pt no	4S4032376	plug drain/priming 1/2"npt 316	
NOT SHOWN	933105-101	pipe plug, .25" hh solid galv	

VERTICAL MULTISTAGE PUMPS PARTS

MODEL NUMBER VMS 18003 - 250# - THREE PHASE

Item No.	Part No.	Part Description	Bar Code
3160	427555-011	bracket-mtr ci 210TC 4700	
7212	4S4045259	cplg-m/c 22mmx1.375 210TC6310	
3011	971101-764	bearing 50mm 6310c3-2rs	
6545A	4S0057982	ring-rtng int stl 110mm 6310	
6546	4S0061882	ring-rtng ext stl 50mm 6310	
4610E	4S4014512	o-ring-brg bun 110.49ix3.53thk	
9902D	911825-112	hshcs 1/2-13x 1.5 stl	
9902C	4S0312104	screw-cplg/mtr zinc pltd M8x30	
9946C	4S0063224	lockwasher 990 D8 (cplg)	
9902A chk pt no.	4S0312105	screw-uppr sft end M8x16 pltdz	
9946A	4S4030444	washer-flat 8.25i x1.5mm thk	
2110	4S4030398	shaft 22dia x 250.5lg 316ss	
4213	4S4032361	stationary ring holder 304ss	
4240	4S0083295	seat-sc 22mm 25br/120dC e 6	
4220	4S0083294	seal-mech 22mm 25br/120dC e 31	
2460C	4S4033289	ring-spcr mseal 25br 316ss 0.5	
6545B	4S4032377	stop ring 1/2" imp/seal 316ss	
2520	4S4032379	thrust ring (imp/spring) 316ss	
1154 chk pt no	4S4032353	stage ctrng w/ ret cnl 304ss	
2410	4S4032360	spacer-imp vms180 316ss	
2250	4S4032357	impeller 125.5dia x b=9 304sst	
1150 chk pt no	4S4032343	stage w/ret guide vanes 304ss	
2460D	4S4032381	spacer-int ring 2.5mm 316sst	
3400	4S4030500	sleeve-shaft 22ix26ox21 lg tc	
2460A	4S4033287	spacer-shaft slv 8.7mm 316ss	
2460A	4S4033288	spacer-shaft slv 13.8mm 316ss	
3044 chk pt no	4S4032349	stage w/ r.g.v. & brg 304sst	
1160	4S4032339	stage w/o ret guide vanes 304	
2911A	4S4032375	washer, shaft end 10.25x25x8.0	
9942	4S0061783	lockwasher 316ss DEC.M10 (lwr)	
9902B chk pt no	4S0433401	screw-shaft end lwr M10x20 316	
9130 chk pt no	4S4058636	Outer jacket tube 158.95 304SS	
4610B	4S4032286	o-ring tube epdm 185ix4t 304	
1111 chk pt no	427567-011	casing ci VMS180 250# 4700	
9923B	4S0056057	nut-tie bolt H.M16 pltd zinc	
9946B	4S0061701	lockwasher D16 (under 9923B)	
6571	4S4030452	bolt-tie M16 198mm lg stl	
7450A	4S4030447	guard-cplg ff265-300(210250tc)	
7450B	4S4030445	clip-cplg guard fixing	
4610A	4S4032291	o-ring-plug epdm 17i x3thk 304	
6521	4S4032373	plug-filling G1/2"npt 316sst	
4610C	4S4042329	o-ring plug epdm 7.53ix3.53t	
4610D	4S4032293	o-ring-plug epdm 10ix3thk 304	
6515 chk pt no	4S4032376	plug drain/priming 1/2"npt 316	
NOT SHOWN	933105-101	pipe plug, .25" hh solid galv	

VERTICAL MULTISTAGE PUMPS PARTS

MODEL NUMBER VMS 18004 - 125# - THREE PHASE

Item No.	Part No.	Part Description	Bar Code
3160	427556-011	bracket-mtr ci 250TC 4700	
7212	4S4045260	cplg-m/c 22mmx1.625 250TC6312	
3011	4S4032283	bearing 60mm 6312c3-2rs	
6545A	4S0063428	ring-rtng ext stl 60mm 6312	
6546	4S4032277	ring-rtng int stl 130mm 6312	
4610E	961131-354	ring-o 5-1/8"ID X 5-1/2"OD	
9902D	911825-112	hshcs 1/2-13x 1.5 stl	
9902C	4S0412103	screw-cplg/mtr zinc plt M10x30	
9946C	4S0061689	lockwasher 990 D10 (cplg)	
9902A chk pt no.	4S0312105	screw-uppr sft end M8x16 pltdz	
9946A	4S4030444	washer-flat 8.25i x1.5mm thk	
2110	4S4030400	shaft 22dia x 296.5lg 316ss	
4213	4S4032361	stationary ring holder 304ss	
4240	4S0083295	seat-sc 22mm 25br/120dC e 6	
4220	4S0083294	seal-mech 22mm 25br/120dC e 31	
2460C	4S4033289	ring-spcr mseal 25br 316ss 0.5	
6545B	4S4032377	stop ring 1/2" imp/seal 316ss	
2520	4S4032379	thrust ring (imp/spring) 316ss	
1154 chk pt no	4S4032353	stage ctrng w/ ret cnl 304ss	
2410	4S4032360	spacer-imp vms180 316ss	
2250	4S4032357	impeller 125.5dia x b=9 304sst	
1150 chk pt no	4S4032343	stage w/ret guide vanes 304ss	
2460D	4S4032381	spacer-int ring 2.5mm 316sst	
3400	4S4030500	sleeve-shaft 22ix26ox21 lg tc	
2460A	4S4033287	spacer-shaft slv 8.7mm 316ss	
2460A	4S4033288	spacer-shaft slv 13.8mm 316ss	
3044 chk pt no	4S4032349	stage w/ r.g.v. & brg 304sst	
1160	4S4032339	stage w/o ret guide vanes 304	
2911A	4S4032375	washer, shaft end 10.25x25x8.0	
9942	4S0061783	lockwasher 316ss DEC.M10 (lwr)	
9902B chk pt no	4S0433401	screw-shaft end lwr M10x20 316	
9130 chk pt no	4S4030427	tube-liner ext 205.97mm 304ss	
4610B	4S4032286	o-ring tube epdm 185ix4t 304	
1111 chk pt no	427566-011	casing ci VMS180 125# 4700	
9923B	4S0056057	nut-tie bolt H.M16 pltd zinc	
9946B	4S0061701	lockwasher D16 (under 9923B)	
6571	4S4030454	bolt-tie M16 244mm lg stl	
7450A	4S4030447	guard-cplg ff265-300(210250tc)	
7450B	4S4030445	clip-cplg guard fixing	
4610A	4S4032291	o-ring-plug epdm 17i x3thk 304	
6521	4S4032373	plug-filling G1/2"npt 316sst	
4610C	4S4042329	o-ring plug epdm 7.53ix3.53t	
4610D	4S4032293	o-ring-plug epdm 10ix3thk 304	
6515 chk pt no	4S4032376	plug drain/priming 1/2"npt 316	
NOT SHOWN	933105-101	pipe plug, .25" hh solid galv	

VERTICAL MULTISTAGE PUMPS PARTS

MODEL NUMBER VMS 18004 - 250# - THREE PHASE

Item No.	Part No.	Part Description	Bar Code
3160	427556-011	bracket-mtr ci 250TC 4700	
7212	4S4045260	cplg-m/c 22mmx1.625 250TC6312	
3011	4S4032283	bearing 60mm 6312c3-2rs	
6545A	4S0063428	ring-rtng ext stl 60mm 6312	
6546	4S4032277	ring-rtng int stl 130mm 6312	
4610E	961131-354	ring-o 5-1/8"ID X 5-1/2"OD	
9902D	911825-112	hshcs 1/2-13x 1.5 stl	
9902C	4S0412103	screw-cplg/mtr zinc plt M10x30	
9946C	4S0061689	lockwasher 990 D10 (cplg)	
9902A chk pt no.	4S0312105	screw-uppr sft end M8x16 pltdz	
9946A	4S4030444	washer-flat 8.25i x1.5mm thk	
2110	4S4030400	shaft 22dia x 296.5lg 316ss	
4213	4S4032361	stationary ring holder 304ss	
4240	4S0083295	seat-sc 22mm 25br/120dC e 6	
4220	4S0083294	seal-mech 22mm 25br/120dC e 31	
2460C	4S4033289	ring-spcr mseal 25br 316ss 0.5	
6545B	4S4032377	stop ring 1/2" imp/seal 316ss	
2520	4S4032379	thrust ring (imp/spring) 316ss	
1154 chk pt no	4S4032353	stage ctrng w/ ret cnl 304ss	
2410	4S4032360	spacer-imp vms180 316ss	
2250	4S4032357	impeller 125.5dia x b=9 304sst	
1150 chk pt no	4S4032343	stage w/ret guide vanes 304ss	
2460D	4S4032381	spacer-int ring 2.5mm 316sst	
3400	4S4030500	sleeve-shaft 22ix26ox21 lg tc	
2460A	4S4033287	spacer-shaft slv 8.7mm 316ss	
2460A	4S4033288	spacer-shaft slv 13.8mm 316ss	
3044 chk pt no	4S4032349	stage w/ r.g.v. & brg 304sst	
1160	4S4032339	stage w/o ret guide vanes 304	
2911A	4S4032375	washer, shaft end 10.25x25x8.0	
9942	4S0061783	lockwasher 316ss DEC.M10 (lwr)	
9902B chk pt no	4S0433401	screw-shaft end lwr M10x20 316	
9130 chk pt no	4S4058550	Outer jacket tube 205.97 304SS	
4610B	4S4032286	o-ring tube epdm 185ix4t 304	
1111 chk pt no	427567-011	casing ci VMS180 250# 4700	
9923B	4S0056057	nut-tie bolt H.M16 pltd zinc	
9946B	4S0061701	lockwasher D16 (under 9923B)	
6571	4S4030454	bolt-tie M16 244mm lg stl	
7450A	4S4030447	guard-cplg ff265-300(210250tc)	
7450B	4S4030445	clip-cplg guard fixing	
4610A	4S4032291	o-ring-plug epdm 17i x3thk 304	
6521	4S4032373	plug-filling G1/2"npt 316sst	
4610C	4S4042329	o-ring plug epdm 7.53ix3.53t	
4610D	4S4032293	o-ring-plug epdm 10ix3thk 304	
6515	4S4032376	plug drain/priming 1/2"npt 316	
NOT SHOWN	933105-101	pipe plug, .25" hh solid galv	