

# Design Envelope 4302 & 4382

Vertical In-line pumping  
unit with IVS drive

---

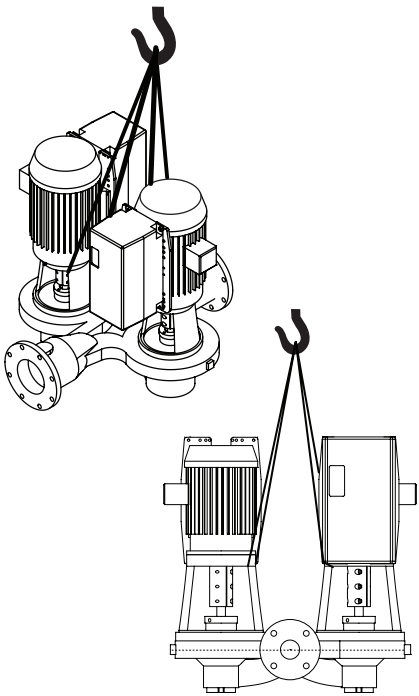
## Quick Installation guide

File No: 104.83  
Date: v1 2018  
Supersedes: NEW  
Date: NEW

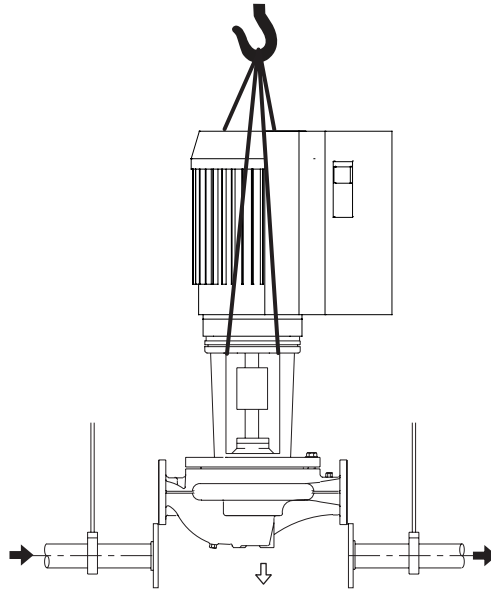
### 1.0 TOOLS YOU WILL NEED



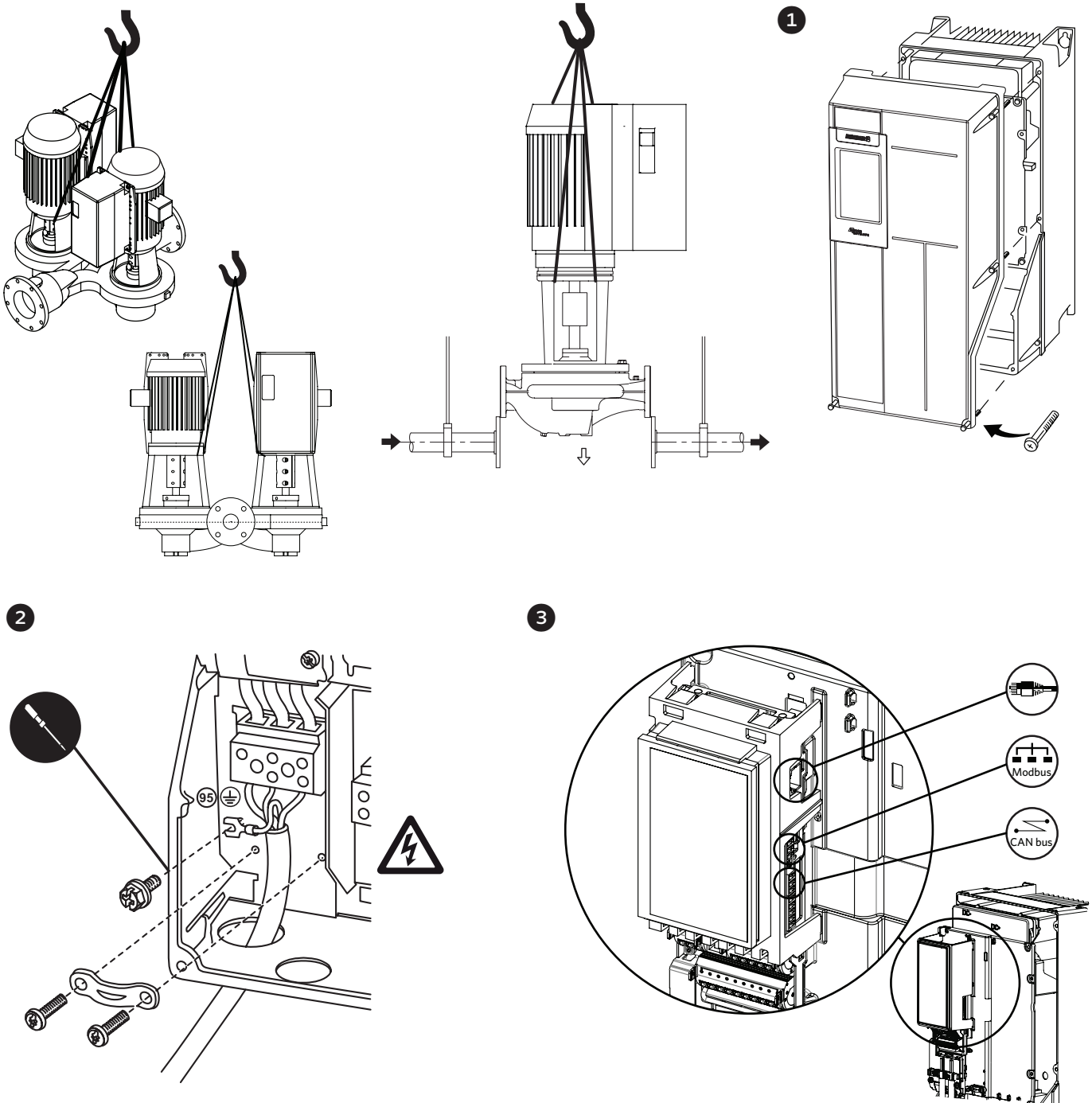
### 2.0 HANDLING



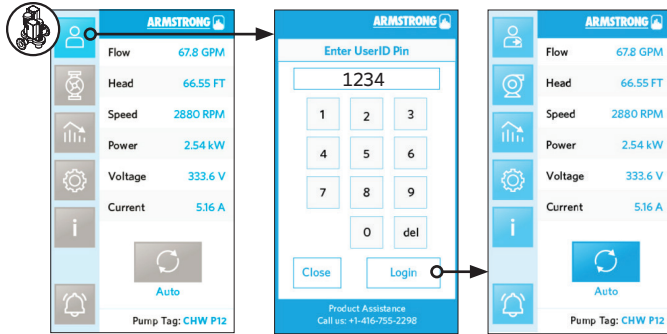
### 3.0 INSTALLATION



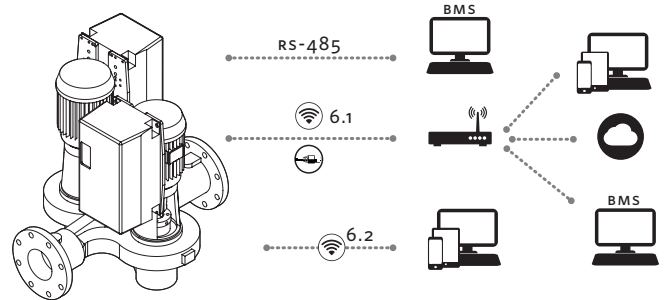
### 4.0 POWER WIRING



## 5.0 TOUCHSCREEN LOGIN



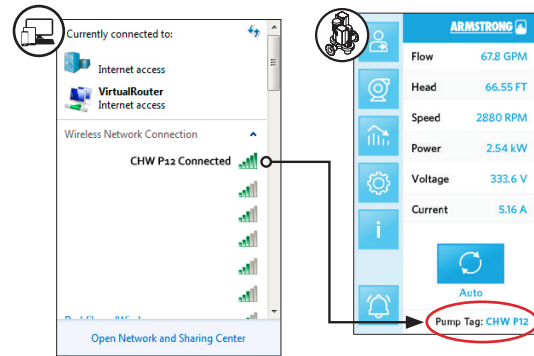
## 6.0 NETWORKING OPTIONS



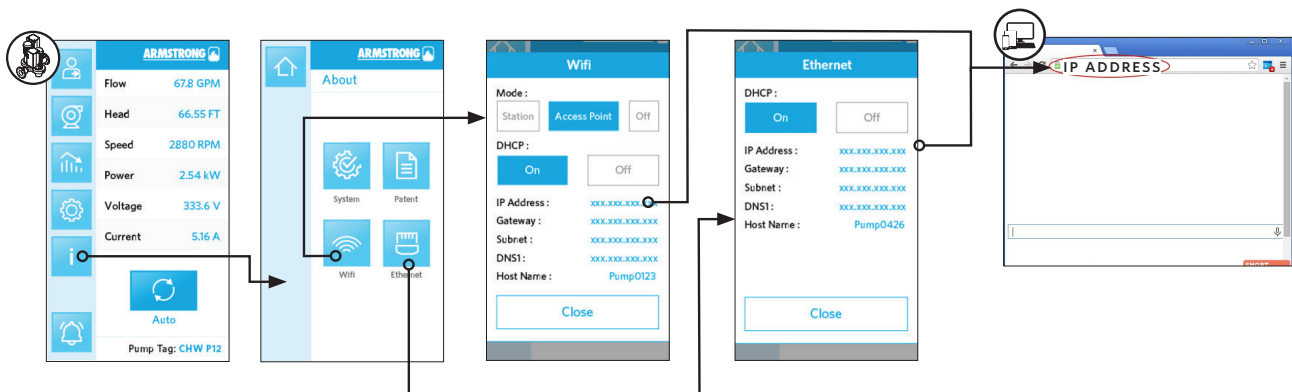
### 6.1 CONNECTING TO THE ROUTER



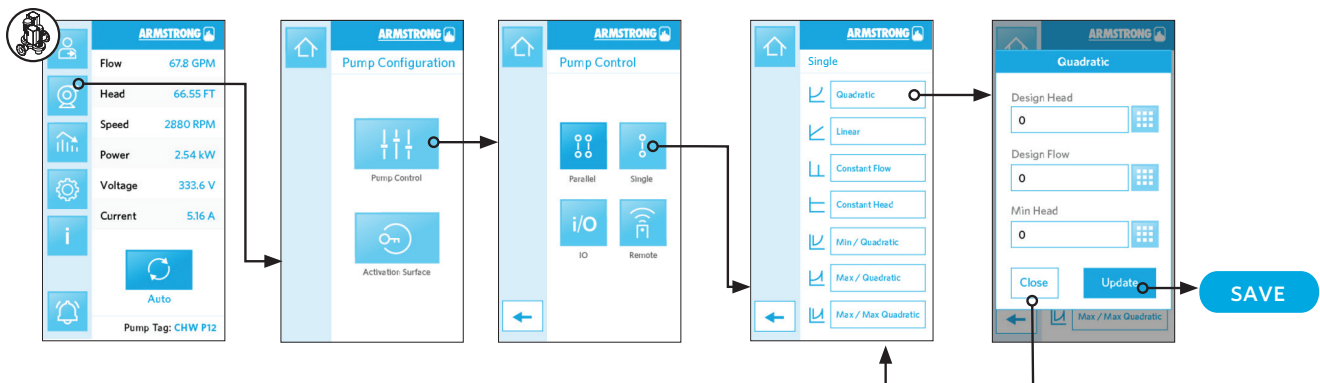
### 6.2 CONNECTING TO WIFI



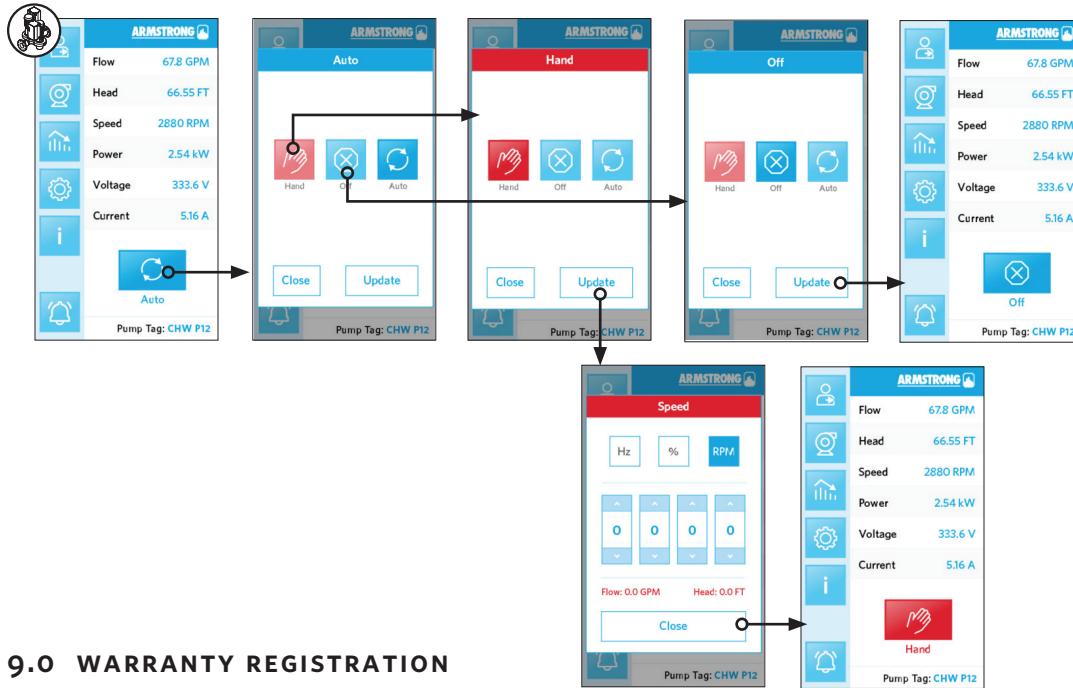
### 6.2 CONNECTING VIA WEB BROWSER



## 7.0 SETTING DESIGN POINT

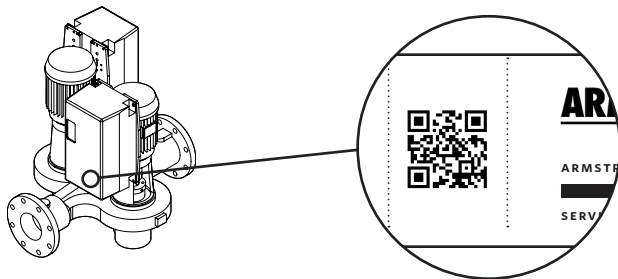


## 8.0 HAND MODE AND OFF MODE



## 9.0 WARRANTY REGISTRATION

[www.armstrongfluidtechnology.com/warrantyregistration](http://www.armstrongfluidtechnology.com/warrantyregistration)



**TORONTO**

+1 416 755 2291

**BUFFALO**

+1 716 693 8813

**BIRMINGHAM**

+44 (0) 8444 145 145

**MANCHESTER**

+44 (0) 8444 145 145

**BANGALORE**

+91 (0) 80 4906 3555

**SHANGHAI**

+86 21 3756 6696

**SÃO PAULO**

+55 11 4781 5500