

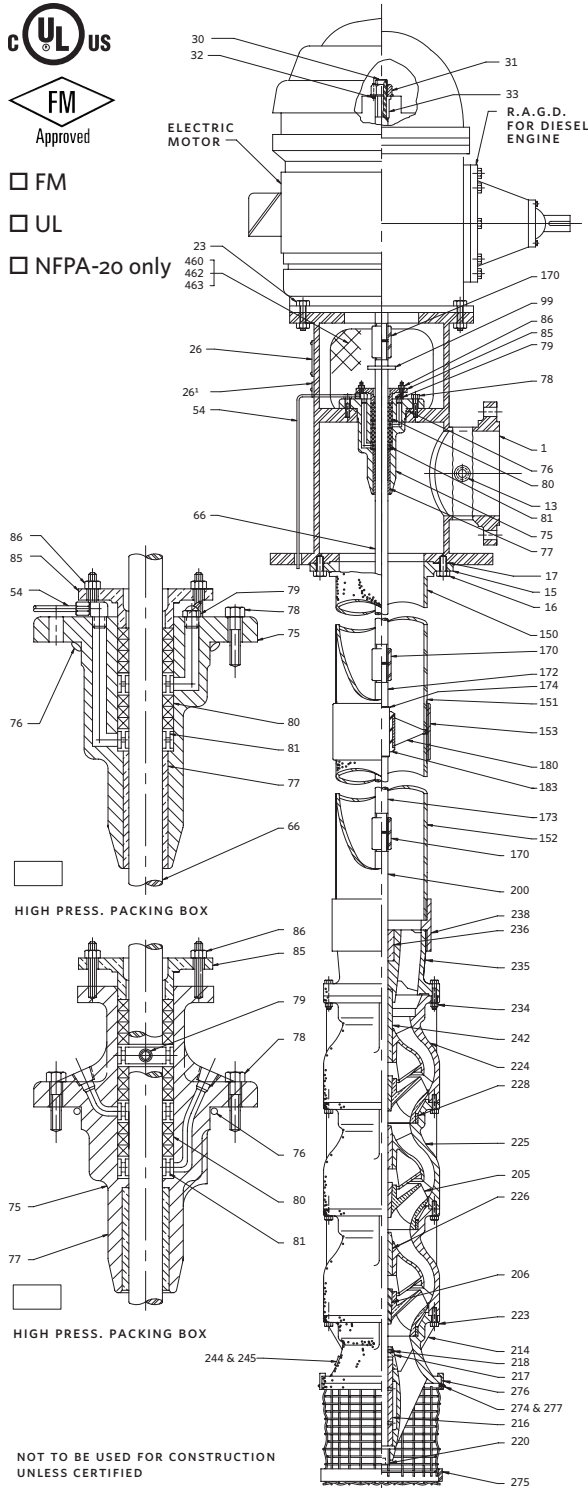
VERTICAL TURBINE FIRE PUMP | SECTIONAL ARRANGEMENT DRAWING

File No: F51.831
 Date: APRIL 10, 2025
 Supersedes: F51.831
 Date: AUGUST 15, 2005

ELECTRIC OR DIESEL



- FM
- UL
- NFPA-20 only



Job Name: _____

Item No.: _____

Customer: _____

Order No.: _____

Mfg. Rep.: _____

Dwg. No.: _____

Serial No.: _____

REF. NO.	PART	MATERIAL	REF. NO.	PART	MATERIAL
1	Discharge head	Fab. Steel	173	Bottom line shaft	A108 GR.1045STL./416S.S.
13	Pipe plug	Steel	174	Line shaft sleeve	304 S.S.
16	Top column flange cap screws	A 307 GR.2	180	Bearing retainer	A536-GR60 D.I.
17	Top column flange gasket	Vellumoid	183	Line shaft bearing	Neoprene
23	Driver bolts & nuts	Steel	200	Bowl shaft	A 582-416 S.S.
26	Nameplate with driver screws	Stainless steel	205	Impeller	B 584-838 BRZ.
26 ¹	Warning nameplate with driver screws	Stainless steel	206	Impeller collet	A 108-1215 STL.
30	Head shaft	A 582-416 S.S.	214	Suction bell	A 48-CL. 30 C.I.
31	Head shaft nut	B 584-838 BRZ.	216	Suction bell bearing	B 505-932 BRZ.
32	Head shaft nut lock screw	Steel	217	Sand collar	B 584-838 BRZ.
33	Gib key	1020 steel	218	Collar set screw	303 S.S.
54	By-pass line with fittings	Copper / S.S.	220	Pipe plug (bell)	A 48-CL. 30 C.I.
66	Top line shaft	A 582-416 S.S.	223 ^Δ	Bowl cap screws set	A 307 GR.2
75	Stuffing box	A 48-CL.30 C.I.	224	Top bowl	A 48-CL.30 C.I.E./D.I.
76	Stuffing box "o" ring	BUNA N	225	Intermediate bowl	A 48-CL.30 C.I.E./D.I.
77	Stuffing box bearing	B 505-932 BRZ.	226	Bowl bearing	B 505-932 BRZ.
78	Stuffing box cap screws	Steel	228	Bowl wear ring	B 505-943/954 BRZ.
79	Grease zerk with cover	Steel	234 ^Δ	Discharge case cap screws set	A 307 GR.2
80	Packing rings	J.C. 1340	235 [◇]	Discharge case	A 48-CL. 30 C.I.
81	Lantern ring	B 584-932 BRZ.	236 [◇]	Discharge case bearing	B 505-932 BRZ.
85	Packing gland	B 584-838 BRZ.	238 [◇]	Column adaptor	A 48-CL. 30 C.I.
86	Packing gland studs & nuts	303 S.S.	242 [◇]	Throttle bearing	B 505-932 BRZ.
99	Slinger	Neoprene	244	Bowl nameplate	Brass
150	Top column pipe	A 53 GR.B	245	Nameplate driver screws	Nic plt steel
151	Intermediate column pipe	A 53 GR.B	274	Strainer lock washers	410 S.S.
152	Bottom column pipe	A 53 GR.B	275	Strainer	Red brass
153	Column pipe coupling	A 53 GR.B	276	Strainer clips	316 S.S.
170	Line shaft coupling	A 108-1215 STL.	277	Strainer screws	303 S.S.
172	Intermediate line shaft	A108 GR.1045STL./416S.S.	460	Coupling guards	Galv. steel
			462	Coupling guard cap screws	PLTD steel
			463	Coupling guard washers	GR. A steel

NOTE:

- Δ These parts are not req'd. For threaded bowl assembly.
- ◇ Some models do not req'd these parts.